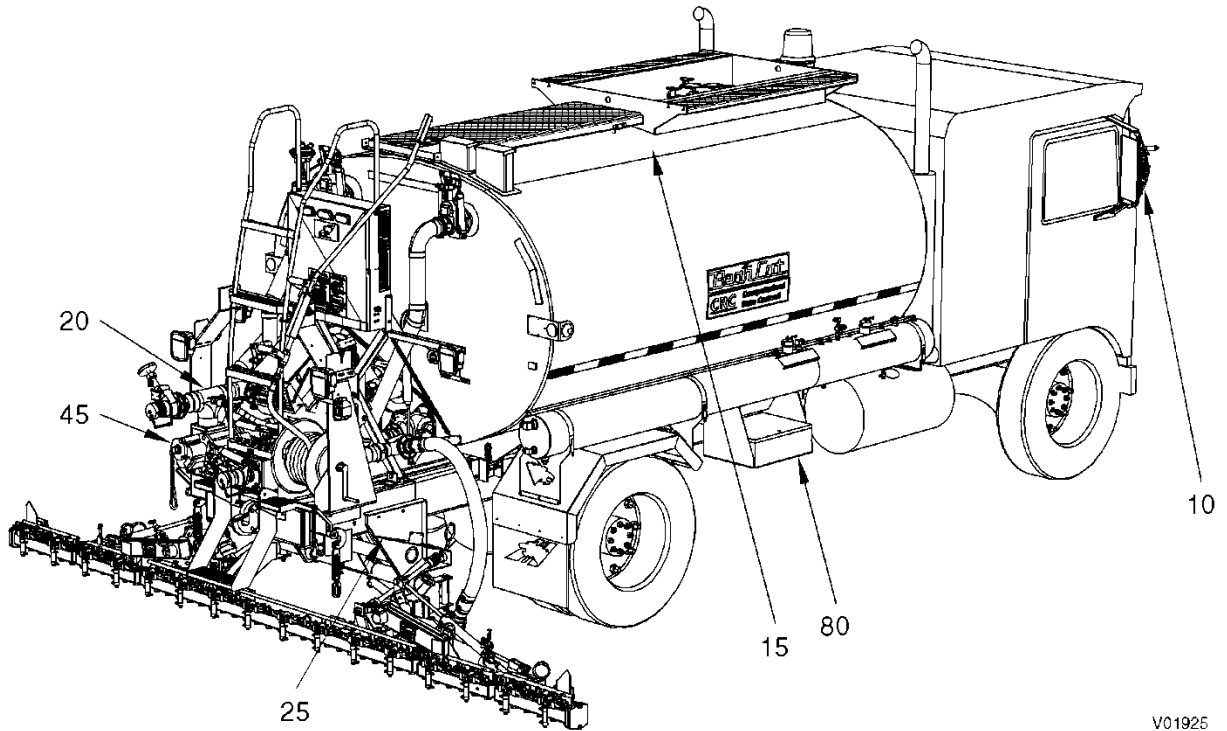


Parts List Index

V01924



V01925

Figure 8-1. BC501/CRC 2002 Asphalt Distributor

Fig	Item	Description	Part No.	Qty
8-1	- 1	Asphalt Distributor	BC501/CRC 2002	RF
	- 5	2002 CRC Master Control, Stand and Rear Control (See Figure 8-2 for Details)		1
	10	Mirror Assembly (See Figure 8-3 for Details)	GRD-26330	1
	15	Tank Assembly with E.V. Tank (See Figure 8-4 for Details)		1
	20	Rear Assembly Plumbing (See Figure 8-5 for Details)		1
	25	Rear Assembly Frame (See Figure 8-6 for Details)		1
	30	Hydrostatic System (See Figure 8-7 or Figure 8-8 for Details)		1
	35	Asphalt Valve Selector Assembly (See Figure 8-9 for Details)		1
	- 40	Manual Pump Control Box Assembly (See Figure 8-10 for Details)		1
	45	3648 Pump Assembly Packed (See Figure 8-11 for Details)	PMP-33721	AR
	- 50	3648 Pump Assembly Modified (See Figure 8-12 for Details)	PMP-33720	AR
	- 55	Single-Fold Spray Bar Complete (See Figure 8-13 for Details)		AR
	60	Double-Fold Spray Bar Complete (See Figure 8-14 for Details)		AR
	- 65	Triple-Fold Spray Bar Complete (See Figure 8-15 for Details)		AR
	70	Valve Box Assembly (See Figure 8-16 for Details)		1
	75	Diesel Burner Assembly (See Figure 8-17 for Details)	PTM-24952	1
	80	Wet Box and Glove Box Options (See Figure 8-18 for Details)		AR
	- 85	Guide Rod Assembly	BRK-23000	1
	90	Tool Box	HSG-27706	1
	- 95	Safety Decals and Plates (See Figure 8-19 for Details)		AR
	- 100	Propane Heating System (Optional) (See Figure 8-20 for Details)		AR

NOTE: A dash (-) before the item number indicates the item is not illustrated on that figure.

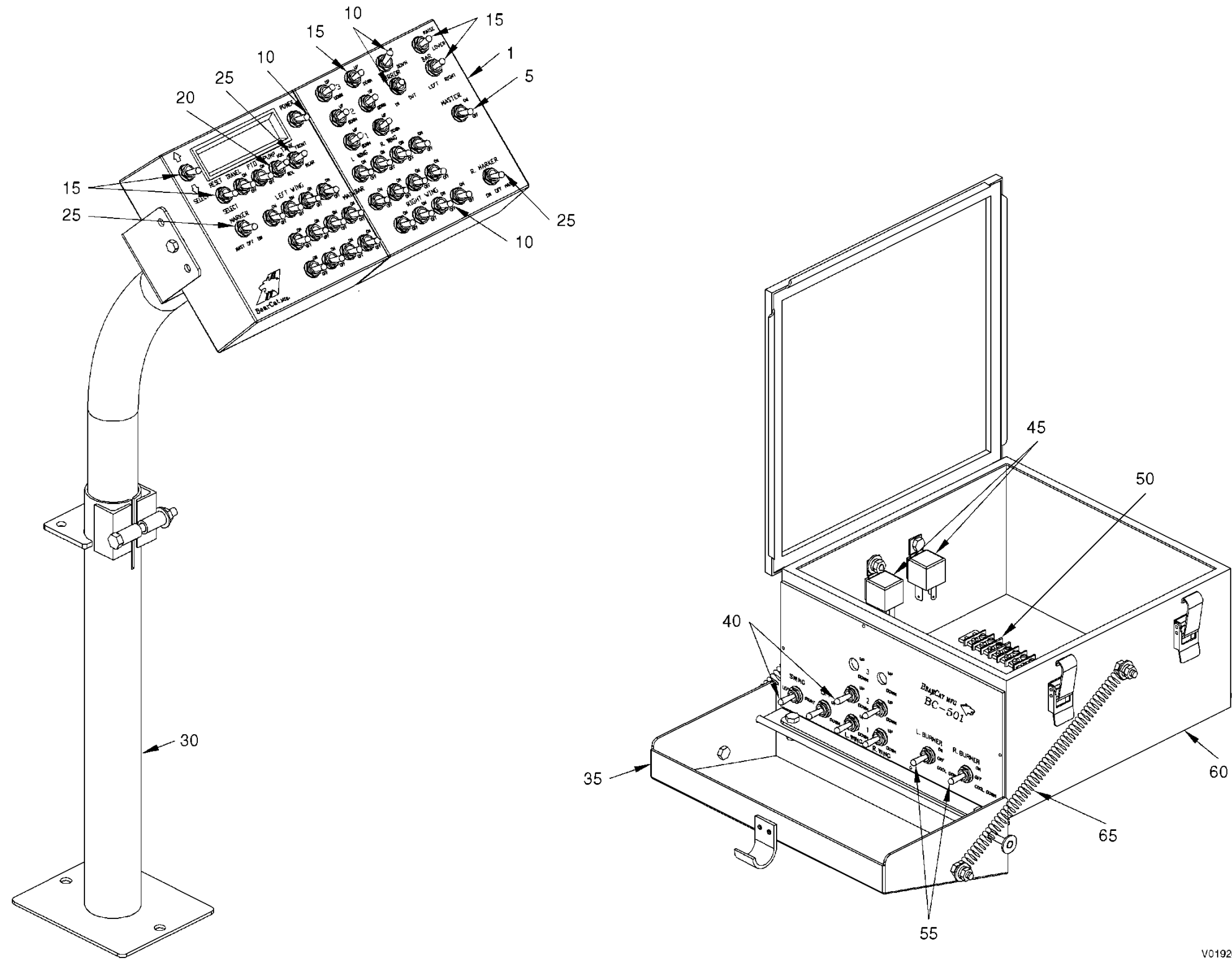


Figure 8-2. 2002 CRC Master Control, Stand and Rear Control



Model BC501/CRC 2002

Illustrated Parts List

Fig	Item	Description	Part No.	Qty
8-2		2002 CRC Master Control, Stand and Rear Control		RF
	1	CRC Master Control, Serial	MTR-26224	1
	5	Master, Toggle Switch	ELC-24275	1
	10	Toggle Switch ON-OFF	ELC-24275	34
	15	Toggle Switch Mom ON-OFF-MOM	ELC-24274	10
	20	Toggle Switch Mom ON-OFF-ON	ELC-51748	1
	25	Toggle Switch ON-OFF-ON	ELC-24272	3
	30	Console Stand Assembly	BRK-24360	1
	35	Cover Guard Control Box	GRD-52116	1
	40	Switch, Sealed Mom ON-OFF-ON Mom	ELC-24274A	6
	45	Power Relay, 70 Amp	ELC-24270	3
	50	Barrier Strip, 20-Lug	ELC-24220	2
	55	Switch, Sealed ON-OFF-ON, DP/DT	ELC-24276A	2
	60	Rear Control Box Assembly	ELC-52117	1
	65	Spring	FAS-29407	2

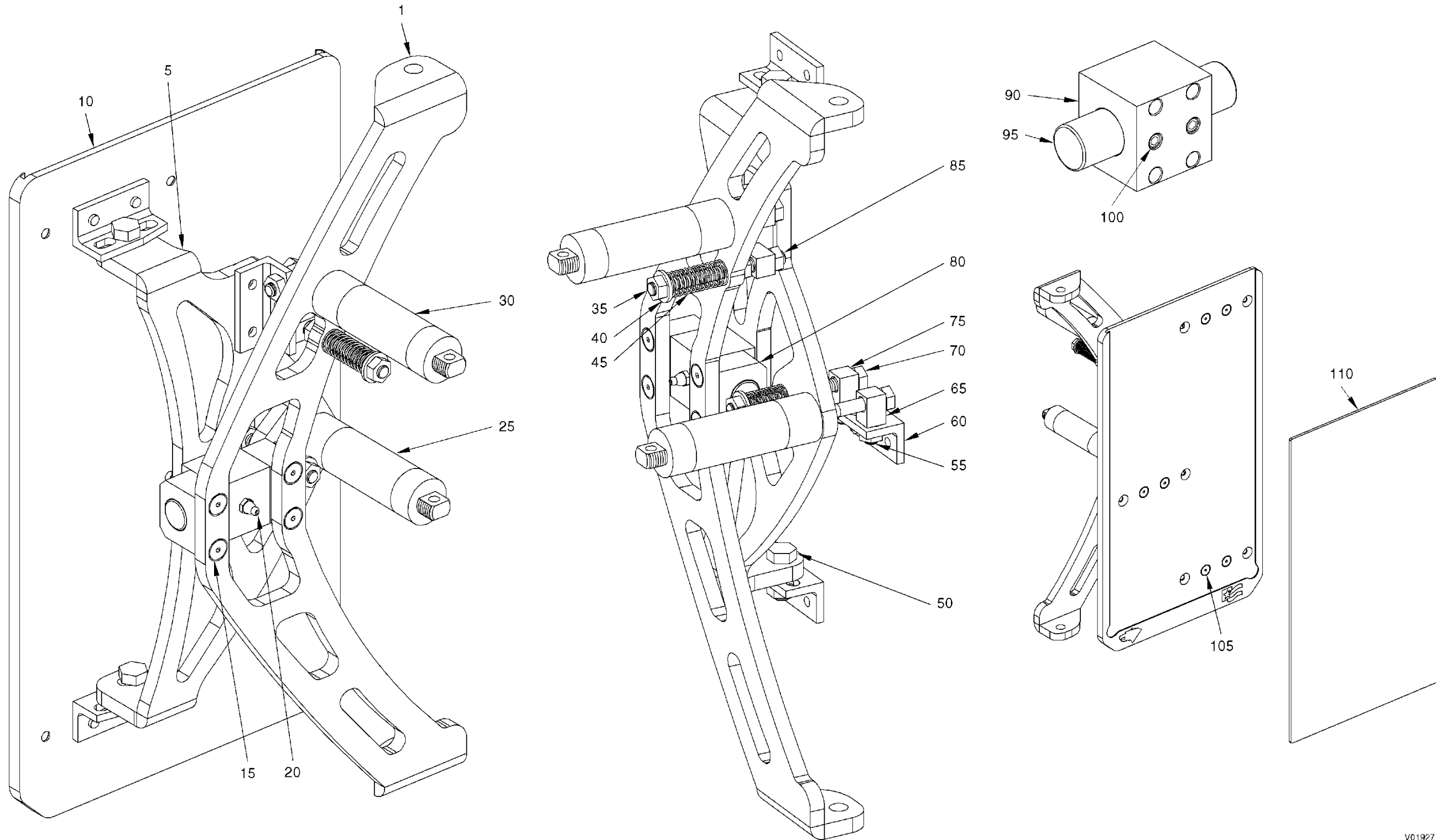


Figure 8-3. Mirror Assembly



Fig	Item	Description	Part No.	Qty
8-3		Mirror Assembly		RF
	1	Mirror Support (Large)	BRK-26325	1
	5	Mirror Support (Small)	BRK-26324	1
	10	Mirror Backing Plate	BRK-26327	1
	15	Soc. Hd. Flat Screw 1/4" – 20 X 5/8"	FAS-28837	12
	20	Zerk	.250-28M-Z	1
	25	Air Cylinder	CYL-27315	1
	30	Air Cylinder	CYL-27318	1
	35	Nut, Nylon Lock	FAS-28526	4
	40	Washer, Flat 1/4"	FAS-28632	2
	45	Long Mirror Spring	FAS-29410	2
	50	Hex Bolt 3/8" – 16 X 1 1/4"	FAS-28732	2
		Nut, Stover Lock 3/8" – 16	FAS-28538	2
	55	Nut, Lock 5/16" – 24	FAS-28597	4
	60	Mirror Angle Mount S/S	BRK-26328	4
	65	Cylinder Connector (Small Air Cylinder)	BRK-27331	1
	70	Nut, Jam 5/16" – 24	FAS-28573	4
	75	Cylinder Connector	BRK-27330	3
	80	Mirror Block Hinge (Small)	BRK-26323	2
	85	Adjuster Stud	FAS-26326	2
	90	Mirror Block Hinge (Large)	BRK-26322	1
	95	Shaft	BRK-26329	1
	100	Soc. Hd. Set Screw 1/4" – 20 X 1/4"	FAS-25619	2
	105	Soc. Hd. Flat Screw 1/4" – 20 X 1/2"	FAS-28827	4
	110	Mirror	GRD-26379	1

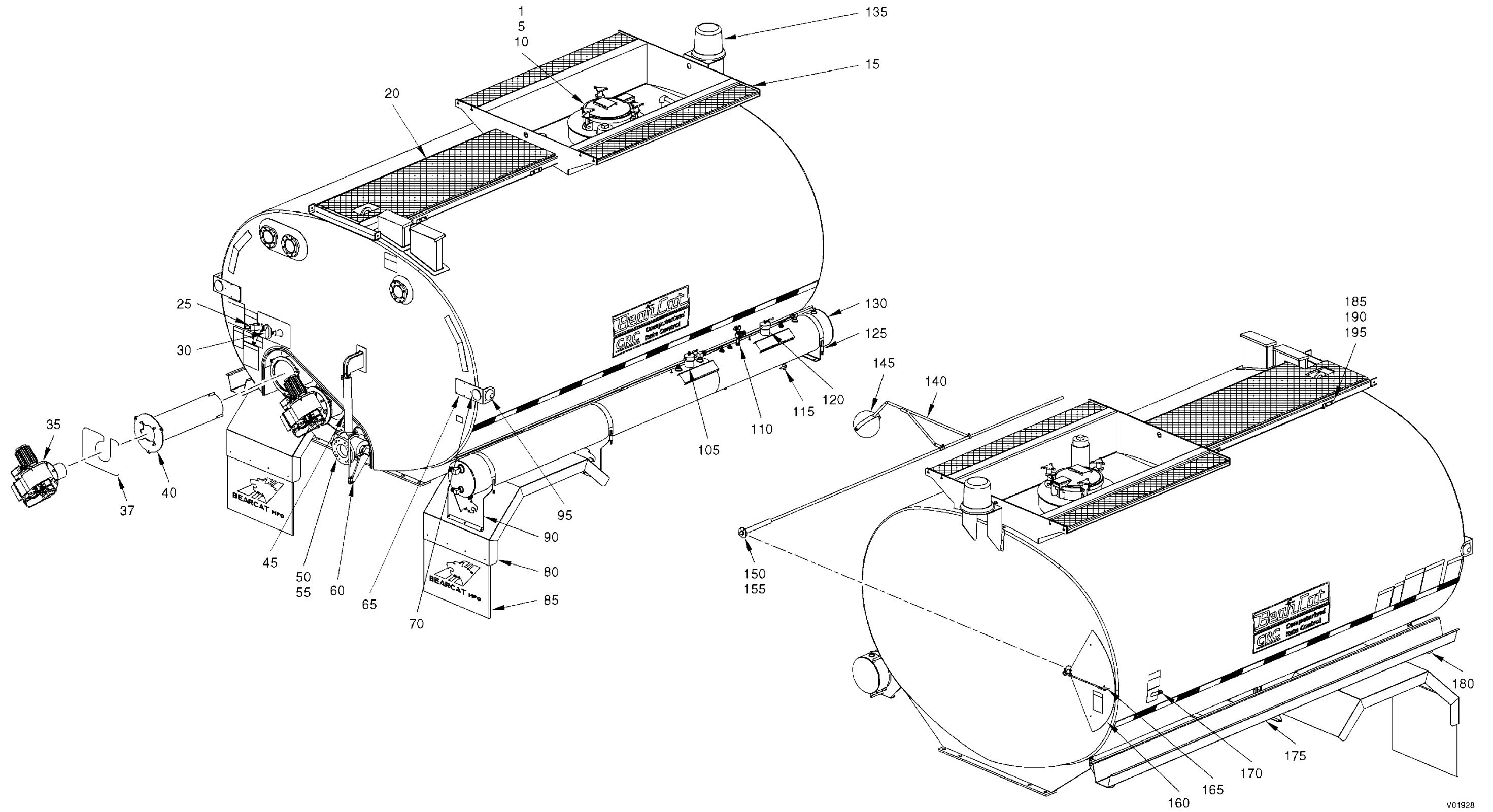


Figure 8-4. Tank Assembly with E.V. Tank

**Model BC501/CRC 2002****Illustrated Parts List**

Fig	Item	Description	Part No.	Qty
8-4		Tank Assembly with E.V. Tank		RF
	1	Manhole Domed Lid Assembly	HSG-21238	1
	5	Gasket, Manhole	RNG-21239	1
	10	Clamp Ring, Manhole	RNG-21238	1
	15	Manhole Step Assembly	GRD-50009	2
	20	Cat Walk 24" Grip Strut	GRD-50477	1
	25	Sample Valve, Brass 1"	VLV-21020	1
	30	Temperature Gauge 24" 50 °F – 500 °F	MTR-25223	1
	35	Burner Assembly (Modified)	PTM-24952	2
	37	Heat Deflector	GRD-25155	2
	40	Flue Liner – Burner Mount Assembly	HSG-25253	2
	45	Air Cylinder, Tank Valve	CYL-27323	1
	50	Tank Valve (Modified)	VLV-27255	1
	55	Tank Valve Gasket	RNG-29066	1
	60	Actuator Arm	BRK-50552	1
	65	Marker Light Bracket	BRK-21531	4
	70	Reflector, Red Round	ELC-24214	4
	- 75	Reflector, Amber Round	ELC-24213	2
	80	Fender, Single (Right-Hand and Left-Hand)	GRD-23219	2
		Fender, Tandem Aluminum	GRD-23221	2
	85	Mud Flap W/Logo	GRD-20308	2
	90	Fender/EPA Mount Bracket Fwd and Aft	BRK-21484	2
	95	Clearance Light, Red	ELC-24208	2
	- 100	Clearance Light, Amber	ELC-24209	2
	105	Cap W/Dipstick Assembly	FIT-26044	1
	110	Regulator, 30 lb Fixed	VLV-26203	1
	115	Ball Valve, 1/4"	VLV-29195	1
	120	2" Cap W/Chain	FIT-26045	1
	125	E.V. Tank Mounting Bracket	BRK-21482	3
	130	E.V. Tank Assembly	TNK-21480	1
	135	Beacon	ELC-24215	1
	140	Float Assembly	MTR-21266	1
	145	Float Ball	MTR-21263	1
	150	Packing Nut	FAS-21223	1
	155	Packing, 1/8" Graphite	RNG-21071	1
	160	Calibration Plate	MTR-21286	1
	165	Float Gauge Needle	MTR-21225	1
	170	Pencil Thermometer Assembly	MTR-49863	1

NOTE: A dash (-) before the item number indicates the item is not illustrated on that figure.



Fig	Item	Description	Part No.	Qty
8-4	175	Hose Trough/Steel	BRK-21276	1
	180	Hose Trough Bracket	BRK-23251A	3
	185	Grip Strut Bracket	BRK-21251	4
	190	Grip Strut Spacers	BRK-21250	4
	195	Soc. Hd. Screw 1/2" – 13 X 3 1/2"	FAS-25520	4

NOTE: A dash (–) before the item number indicates the item is not illustrated on that figure.

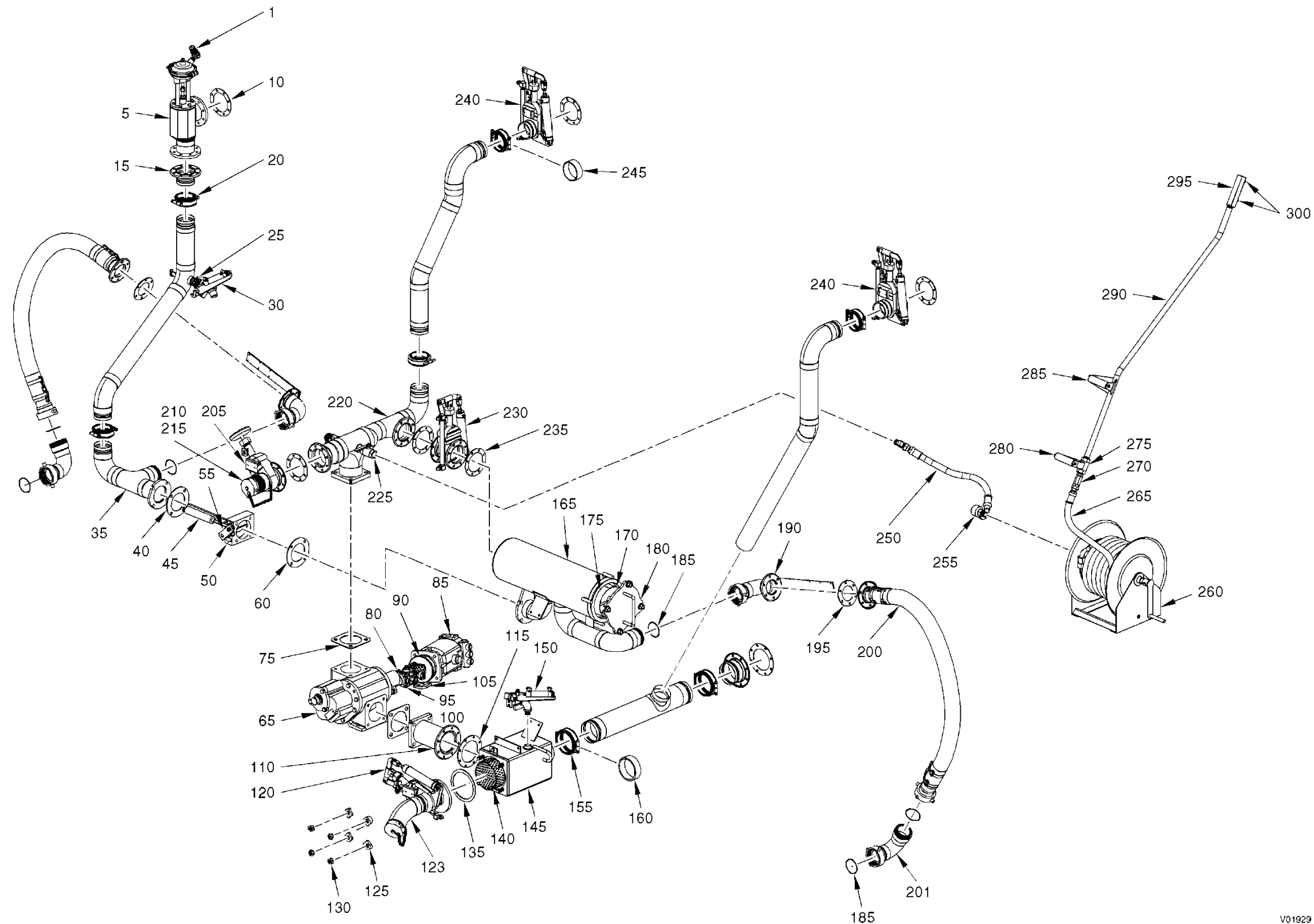


Figure 8-5. Rear Assembly Plumbing



Fig	Item	Description	Part No.	Qty
8-5		Rear Assembly Plumbing		RF
	1	Air Regulator, 60 lb Fixed	VLV-26200	1
	5	By-pass Valve Assembly	VLV-27211	1
	10	Gasket, 3" 8-Hole	RNG-29060	6
	15	3" Victaulic Valve Assembly	FIT-29180	1
	20	Victaulic Clamp 3"	FIT-29104	1
	25	Valve, Air Actuated (Flush)	VLV-35138	1
	30	Air Cylinder (1 1/16" X 2")	CYL-100092	1
	35	Tee and Elbow Assembly	FIT-52124	1
	40	Gasket, 3" 4-Hole	RNG-29061	2
	45	Air Cylinder, Large Butterfly	CYL-27321	1
	50	4" Butterfly Valve Assembly	VLV-27450	1
	55	Cylinder Connector	MCH-26585	1
	60	Gasket, 3" 4-Hole	RNG-29061	2
	65	3648 Pump (Modified)	PMP-33720	1
	70	3648 Pump (Unmodified)	PMP-33721	1
	75	Gasket, 4" Square	RNG-29066	2
	80	Companion Flange, Pump	PTM-22272	1
	85	33 Series Eaton Motor	PMP-22239	1
		Sunstrand Motor	PMP-22216	1
	90	Gear Assembly, 72-Tooth	PTM-26321	1
	95	Cargo Pump Guard	GRD-27476	1
	100	Drive Line Assembly	PTM-26314	1
		• Flange Yoke 2-2-389	PTM-22257	1
		• Flange Yoke 2-2-329	PTM-22251	3
		• U-Joint 5-153X	PTM-22288	2
	105	Gear Tooth Sensor	ELC-26148	1
	110	Pump Intake Assembly	MSC-27527	1
	115	Gasket, 4" 8-Hole	RNG-29065	2
	120	3" Slide Valve, Modified, Heat Traced, Air Operated	VLV-29312	1
		• Air Cylinder, Slide Valve	CYL-27324	1
	123	60-Degree Load Hose Swivel Assembly	FIT-50184	
	125	Nut, 5/8" Conical	FAS-28548	4
	130	Clip 5/8"	FAS-28549	4
	135	Gasket, Suction Strainer	RNG-29068	1
	140	Suction Strainer Screen Assembly	FTR-27242	1
	145	Intake Strainer Assembly	HSG-27246	1
	150	Valve, 3/4" Air Actuated (Flush)	VLV-35137	1
	155	Victaulic Clamp 4"	FIT-29106	1

**Model BC501/CRC 2002****Illustrated Parts List**

Fig	Item	Description	Part No.	Qty
8-5	160	Coupling Gasket, Buna-N 4"	RNG-29113	2
	165	Fine Y-Strainer Assembly	HSG-52167	1
	170	Strainer, Fine Screen Assembly	FTR-52165	1
	175	Teflon Gasket, Y-Strainer	RNG-52179	1
	180	Housing Cover	HSG-52176	1
	185	O-Ring, Bar Feed Hose	RNG-26945	6
	190	Bar Feed Hose Upper Elbow	MSC-27494	2
	195	Gasket, 2 1/2" 6-Hole	RNG-29055	4
	200	Bar Feed Hose Assembly (Rubber)	MSC-27338	2
		Bar Feed Hose Assembly (Flex/Steel)	PIP-27326	2
	201	Bar Feed Hose Lower Elbow	MSC-27495	2
	205	3" Gate Valve (Modified)	VLV-29316	1
	210	3" Cap and Chain Assembly	FIT-26039	2
	215	Gasket, 3"	RNG-29056	2
	220	Manifold Strainer Assembly	MSC-62120	1
	225	Valve, 3/4" Ball	VLV-29227	1
	230	Valve, 3" Slide Flange/Flange, Heat Traced, Air Operated	VLV-29310	1
		• Air Cylinder, Slide Valve	CYL-27324	1
	235	Gasket, 3" 8-Hole	RNG-29060	2
	240	Valve, 3" Slide Flange/Groove, Heat Traced, Air Operated	VLV-29311	2
		• Air Cylinder, Slide Valve	CYL-27324	2
	245	Coupling Gasket, Buna-N 3"	RNG-29111	4
	250	Hose Assembly, Hose Reel	MSC-26455	1
	255	Hose Reel Swivel	FIT-29800	1
	260	Hose Reel Assembly	BRK-27350	1
	265	Hand Spray Wand Hose Assembly	MSC-26477	1
	270	Swivel, 3/4"	FIT-29940	1
	275	Valve, 3/4" Ball S/S	VLV-29229	1
	280	Spray Wand Valve Handle	GRD-27080	1
	285	Wooden Handle	GRD-27284	1
	290	Hand Spray Wand Assembly	MSC-27279	1
	295	Hand Spray Wand Tip Assembly	MSC-27273	1
	300	Nozzle, #4 .250 Pipe	FIT-27194	2

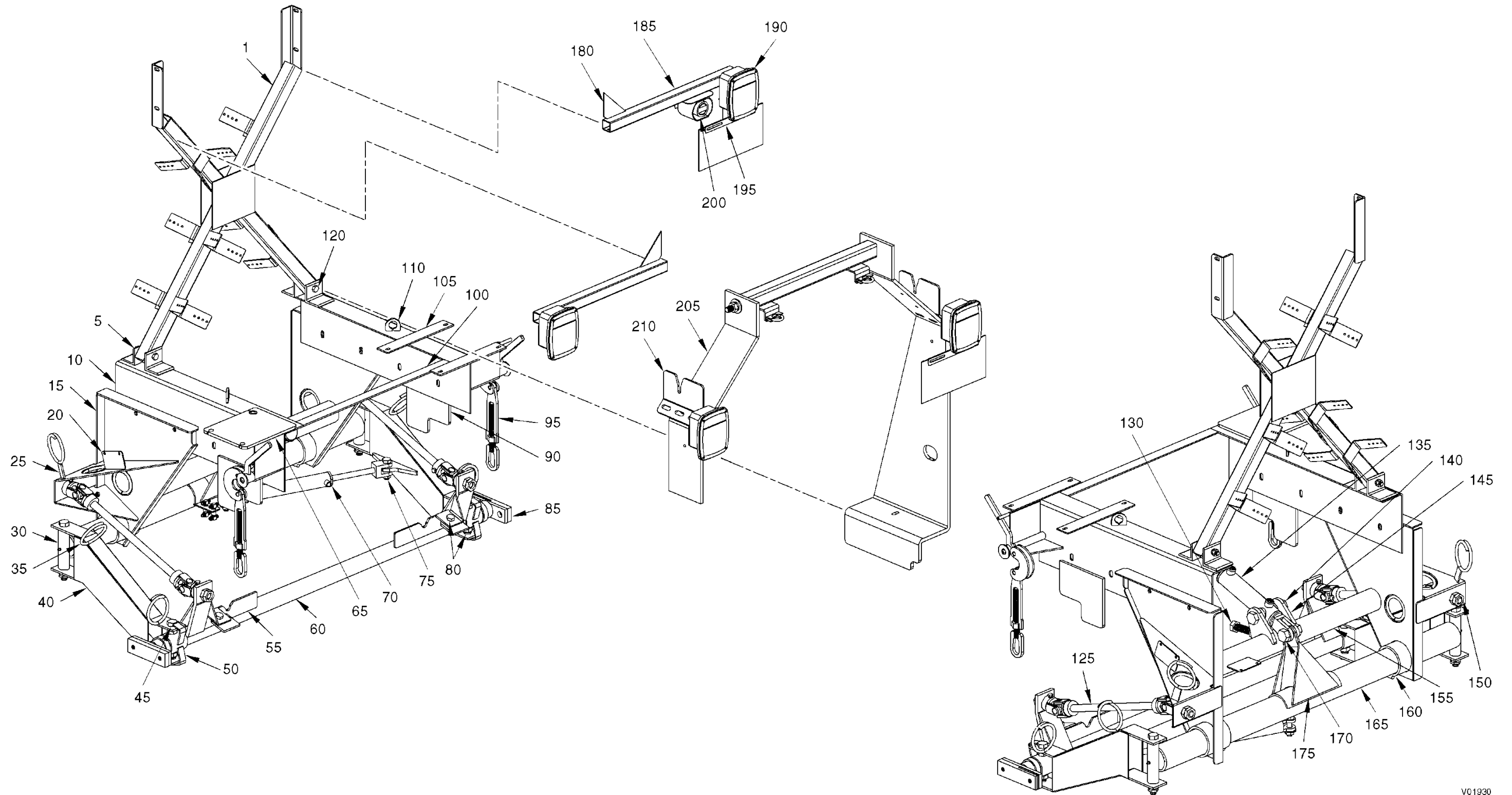


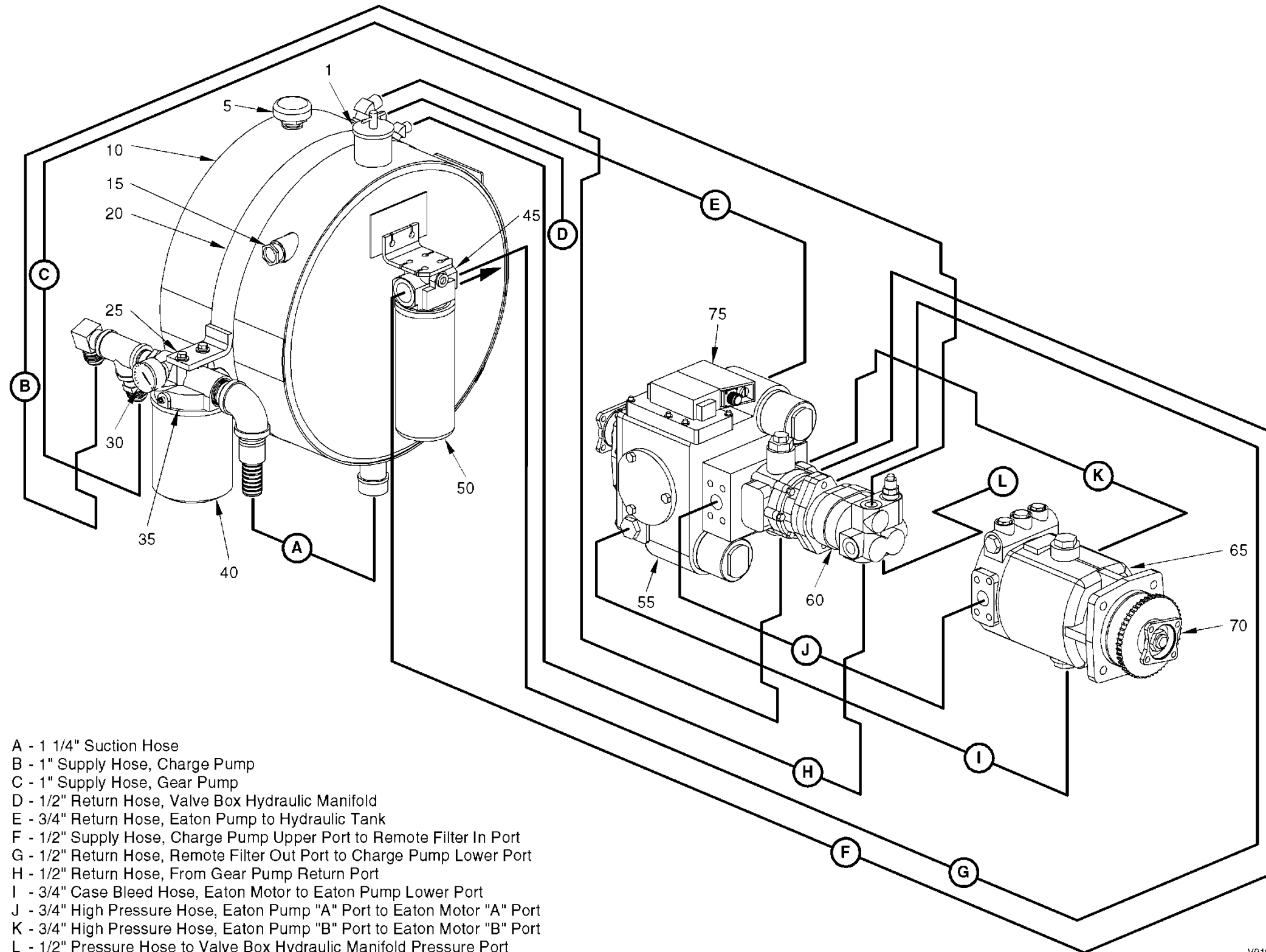
Figure 8-6. Rear Assembly Frame



Fig	Item	Description	Part No.	Qty
8-6		Rear Assembly Frame		RF
	1	Stand Assembly	BRK-52033	1
	5	Angle Bracket	BRK-52061	4
	10	Hanger Rail	BRK-52011	2
	15	Hanger Support	BRK-52038	2
	20	Bracket, Lock-Out Valve	BRK-26546	3
	25	Riser	BRK-27582	2
	30	Pivot Bushing Assembly	FIT-52009	2
		Hex Bolt 3/4" – 10 X 8"	FAS-28964	2
		Nut, Lock 3/4" – 10	FAS-28542	4
	35	Hose Ring 4"	RNG-26422	6
	40	Swing Arm Assembly	MCH-52036	2
	45	Pivot Spacer	BRK-52023	4
		Hex Bolt 3/4" – 10 X 1 1/4"	FAS-28791	4
	50	Bar Hanger Holder, Screw Captivator	BRK-26426	4
	55	Guide, Spray Bar Lift/Stop	BRK-52015	2
	60	Bar Hanger Pivot	MCH-52043	1
	65	Bracket, Cargo Pump	BRK-27475	1
	70	Cylinder, 1 1/2" X 10"	CYL-22300	1
	75	Hex Bolt 3/4" – 10 X 3"	FAS-28796	1
		Nut, Lock 3/4" – 10	FAS-28542	1
	80	Spray Bar Stiffener	BRK-26429	2
		Spray Bar Stiffener	BRK-52076	2
	85	Bar Hanger Straps	BRK-26345	2
	90	Bracket, Spray Bar Lift Up-Stop	BRK-52017	2
	95	Latch and Rail Assembly	FAS-52055	2
	100	Bar Hanger Cross Brace	BRK-26428	1
	105	Bracket, Hose Reel	BRK-52062	2
	110	Lifting Bail Eye	BRK-26443	2
	120	Hex Bolt 1/2" – 13 X 3 1/2"	FAS-28758	2
		Lock Washer 1/2"	FAS-28649	2
		Nut, Hex 1/2" – 13	FAS-28504	2
	125	Bar Hanger Equalizer Assembly	BRK-26368	2
	130	Stop Bolt	BRK-52047	1
	135	Lift Cylinder	CYL-52040	1
	140	Pivot Spacers	BRK-52023	2
		Hex Bolt 3/4" – 16 X 1 1/4"	FAS-28941	2
	145	Bracket, Lift Cylinder	BRK-52045	2



Fig	Item	Description	Part No.	Qty
8-6	150	Nut, Jam 1" – 8	FAS-28520	8
	155	Cross Tie	BRK-52044	1
	160	Lateral Stops	BRK-26418	2
	165	Hanger Pipe	BRK-52018	1
	170	Hex Bolt 1" – 8 X 3"	FAS-28816	1
		Nut, Lock 1" – 8	FAS-28544	1
	175	Lift Hanger	MCH-52041	1
	180	Gusset	BRK-52031	2
	185	Support	BRK-24198	2
	190	Tail Light	ELC-24206	2
	195	Bracket, License Plate	BRK-23264	1
	200	Alarm, Back Up	ELC-293	1
	205	Wing Support Super Structure Assembly (Double/Triple-Fold)	HSG-26205	1
	210	Bracket, Notched Wing Support	BRK-26206	2



- A - 1 1/4" Suction Hose
- B - 1" Supply Hose, Charge Pump
- C - 1" Supply Hose, Gear Pump
- D - 1/2" Return Hose, Valve Box Hydraulic Manifold
- E - 3/4" Return Hose, Eaton Pump to Hydraulic Tank
- F - 1/2" Supply Hose, Charge Pump Upper Port to Remote Filter In Port
- G - 1/2" Return Hose, Remote Filter Out Port to Charge Pump Lower Port
- H - 1/2" Return Hose, From Gear Pump Return Port
- I - 3/4" Case Bleed Hose, Eaton Motor to Eaton Pump Lower Port
- J - 3/4" High Pressure Hose, Eaton Pump "A" Port to Eaton Motor "A" Port
- K - 3/4" High Pressure Hose, Eaton Pump "B" Port to Eaton Motor "B" Port
- L - 1/2" Pressure Hose to Valve Box Hydraulic Manifold Pressure Port

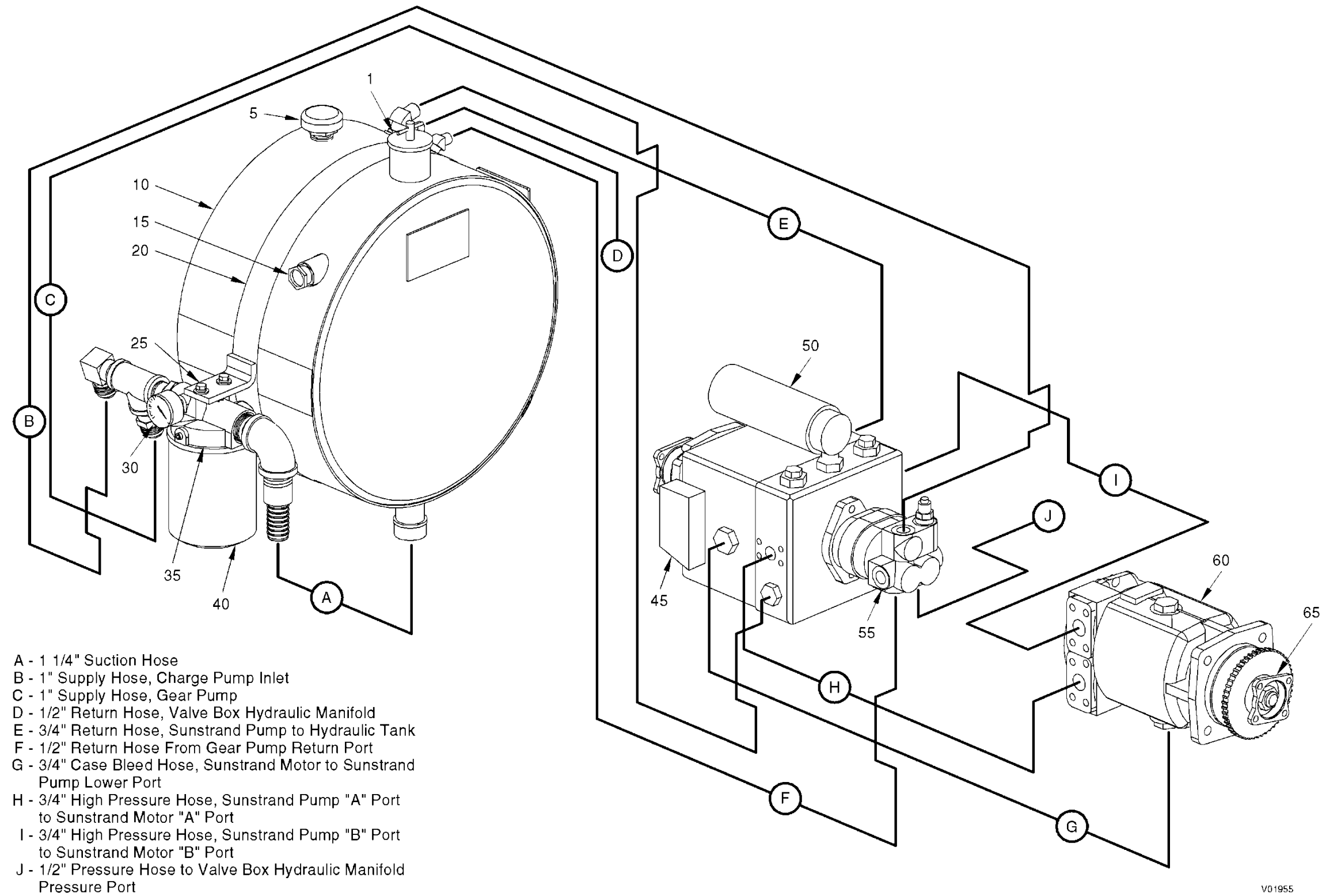
V01931

Figure 8-7. Hydrostatic System (Eaton)



Fig	Item	Description	Part No.	Qty
8-7		Hydrostatic System (Eaton)		RF
	1	Plug, 2" Rubber	FIT-26035	1
	5	Breather Vent	FTR-22527	1
	10	Hydraulic Tank, 15 Gallon 20" X 11"	TNK-22419	1
	15	Sight Gauge	MTR-80270	1
	20	Hydraulic Tank Hanger and Strap	BRK-26360	1
	25	Bracket, Filter Base	BRK-22549	1
	30	Vacuum Gauge	MTR-22499	1
	35	Filter Base	FTR-22503	1
	40	Hydraulic Filter, Zinga	FTR-22502	1
	45	Filter Head, Remote Mount	FTR-22504	1
	50	Hydraulic Filter	FTR-22501	1
	55	Pump, Hydraulic Eaton 33 Series	PMP-22212	1
	60	Pump, Hydraulic Auxiliary	PMP-22200	1
		Pump, Hydraulic Auxiliary (Vickers V-10)	PMP-22203	1
	65	Motor, Hydraulic Eaton 33 Series	PMP-22239	RF
	70	Gear Assembly, 72-Tooth	PTM-26321	RF
	75	Valve EDC Controller	VLV-29330	1
	- 80	Mount Assembly, Hydraulic Pump	BRK-26548	1
	- 85	PTO		1
	- 90	Yoke End 2-4-533	PTM-22261	1
	- 95	Drive Line Assembly	PTM-27213	1

NOTE: A dash (-) before the item number indicates the item is not illustrated on that figure.



V01955

Figure 8-8. Hydrostatic System (Sunstrand)



Model BC501/CRC 2002

Illustrated Parts List

Fig	Item	Description	Part No.	Qty
8-8		Hydrostatic System (Sunstrand)		RF
	1	Plug, 2" Rubber	FIT-26035	1
	5	Breather Vent	FTR-22527	1
	10	Hydraulic Tank, 15 Gallon 20" X11"	TNK-22419	1
	15	Sight Gauge	MTR-80270	1
	20	Hydraulic Tank Hanger and Strap	BRK-26360	1
	25	Bracket, Filter Base	BRK-22549	1
	30	Vacuum Gauge	MTR-22499	1
	35	Filter Base	FTR-22503	1
	40	Hydraulic Filter, Zinga	FTR-22502	1
	45	Pump, Hydraulic Sunstrand	PMP-22206	1
	50	Hydraulic Filter (Sunstrand Pump)	FTR-100071	1
	55	Pump, Hydraulic Auxiliary	PMP-22200	1
		Pump, Hydraulic Auxiliary (Vickers V-10)	PMP-22203	1
	60	Motor, Hydraulic, Sunstrand	PMP-22216	RF
	65	Gear Assembly, 72-Tooth	PTM-26321	RF
	- 70	Mount Assembly Hydraulic Pump	BRK-26548	1
	- 75	PTO		1
	- 80	Yoke End 2-4-533	PTM-22261	1
	- 85	Drive Line Assembly	PTM-27213	1

NOTE: A dash (-) before the item number indicates the item is not illustrated on that figure.

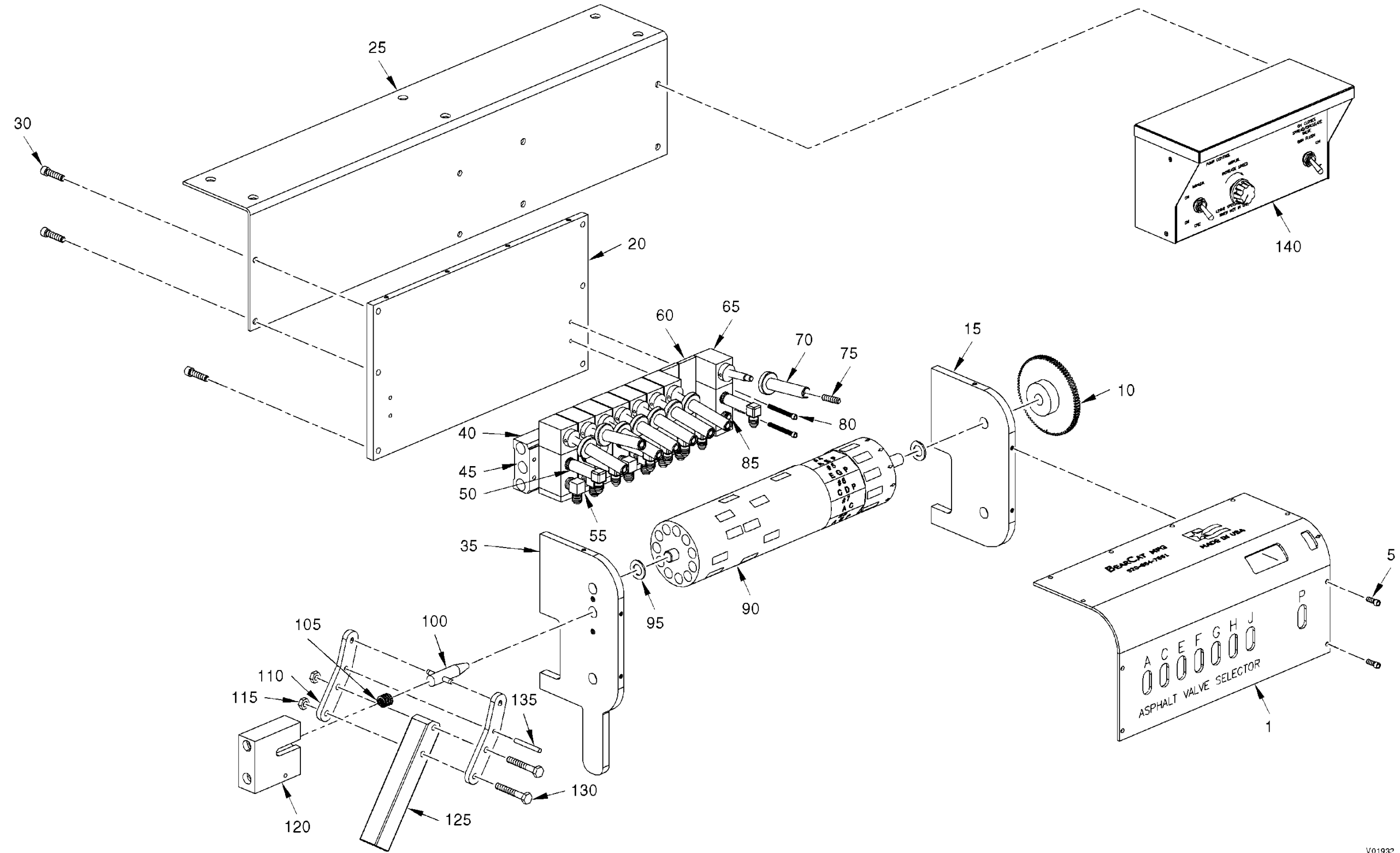


Figure 8-9. Asphalt Valve Selector Assembly



Fig	Item	Description	Part No.	Qty
8-9		Asphalt Valve Selector Assembly		RF
	1	Cover Panel	HSG-35124	1
	5	Soc. Hd. Screw 10 –24 X 1/2”	FAS-25450	10
	10	Sprocket	PTM-35104	1
	15	Side Panel, Right-Hand	HSG-35116	1
	20	Back Panel	HSG-35117	1
	25	Mount	HSG-35136	1
	30	Soc. Hd. Screw 1/4” – 20 X 1”	FAS-25466	6
	35	Side Panel, Left-Hand	HSG-35115	1
	40	Manifold, 10-Station	MSC-35120	1
	45	Plug, 1/4” Counter Sunk	FIT-28296	1
	50	90-Degree 4MJ-4MP X-Long	90D-4MJ-4MP-XL	7
	55	90-Degree 4MJ-4MP	90D-4MJ-4MP	8
	60	Blank Cover	MSM-35102	3
	65	Valve, 4-Way 2 Position	VLV-35101	8
	70	Arm Extension	MCH-35123	8
	75	Soc. Hd. Set Screw 1/4” – 20 X 1”	FAS-25622	8
	80	Soc. Hd. Screw 8 –32 X 1 1/4”	FAS-25462	4
	85	Plug, 1/4” Counter Sunk	FIT-28296	1
	90	Drum	MCH-35118	1
	95	Copper Washer 7/8” O.D. X 1/2” I.D.	FAS-29621	2
	100	Pin	FAS-35122	1
	105	Spring	FAS-35103	1
	110	Arm Pivot	MCH-35120	1
	115	Nut, Lock 1/4” – 20	FAS-28536	2
	120	Housing	HSG-35119	1
	125	Arm	MCH-35121	1
	130	Hex Bolt 1/4” – 20 X 1 3/4”	FAS-25473	2
	135	Dowel Pin 3/16” X 2”	FAS-35105	1
	140	Manual Pump Control Box Assembly (See Figure 8-10 for Details)	HSG-24612	1

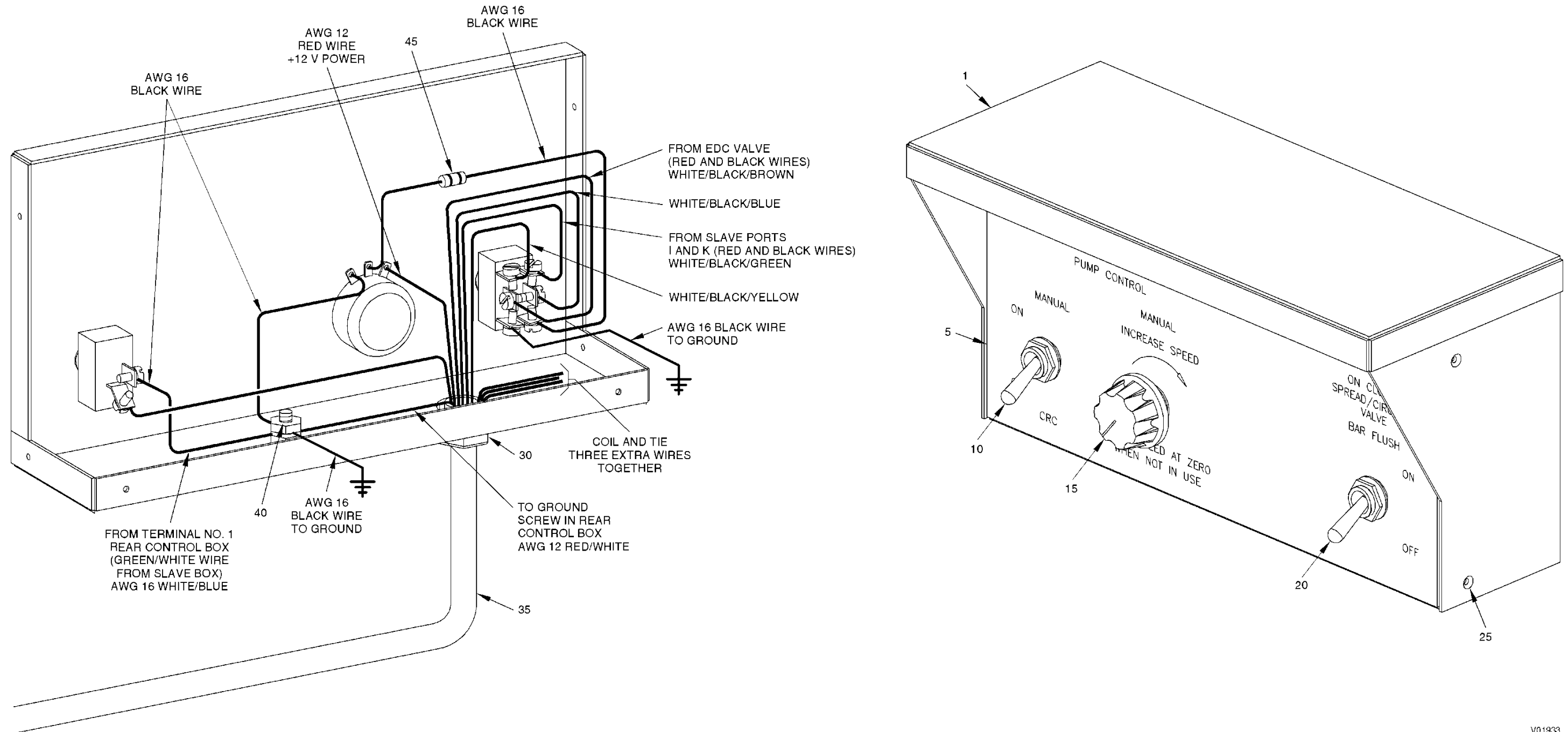


Figure 8-10. Manual Pump Control Box Assembly



Fig	Item	Description	Part No.	Qty
8-10		Manual Pump Control Box Assembly		RF
	1	Box W/Weather Guard	HSG-35139	1
	5	Engraved Panel	HSG-35140	1
	10	Switch ON/ON, DP/DT	ELC-24268A	1
	15	Potentiometer, 3/4 Turn	ELC-24283	1
		Knob	ELC-25284	1
	20	Switch, ON/OFF, SP/ST	ELC-24275A	1
	25	Hex Hd. Sheet Metal Screw	FAS-25651	6
	30	Connector, 1/2" Liquidtite	ELC-24425	1
	35	10-Conductor Cable in 1/2" Flex Conduit		AR
	40	Rd. Hd. Screw 10 – 24 X 1/2"	FAS-25768	1
		Nut, Hex 10 – 24	FAS-28533	2
	45	Resistor, 270 ohm (Eaton System)	ELC-24282	1
		Resistor, 150 ohm (Sunstrand System)	ELC-24069	1

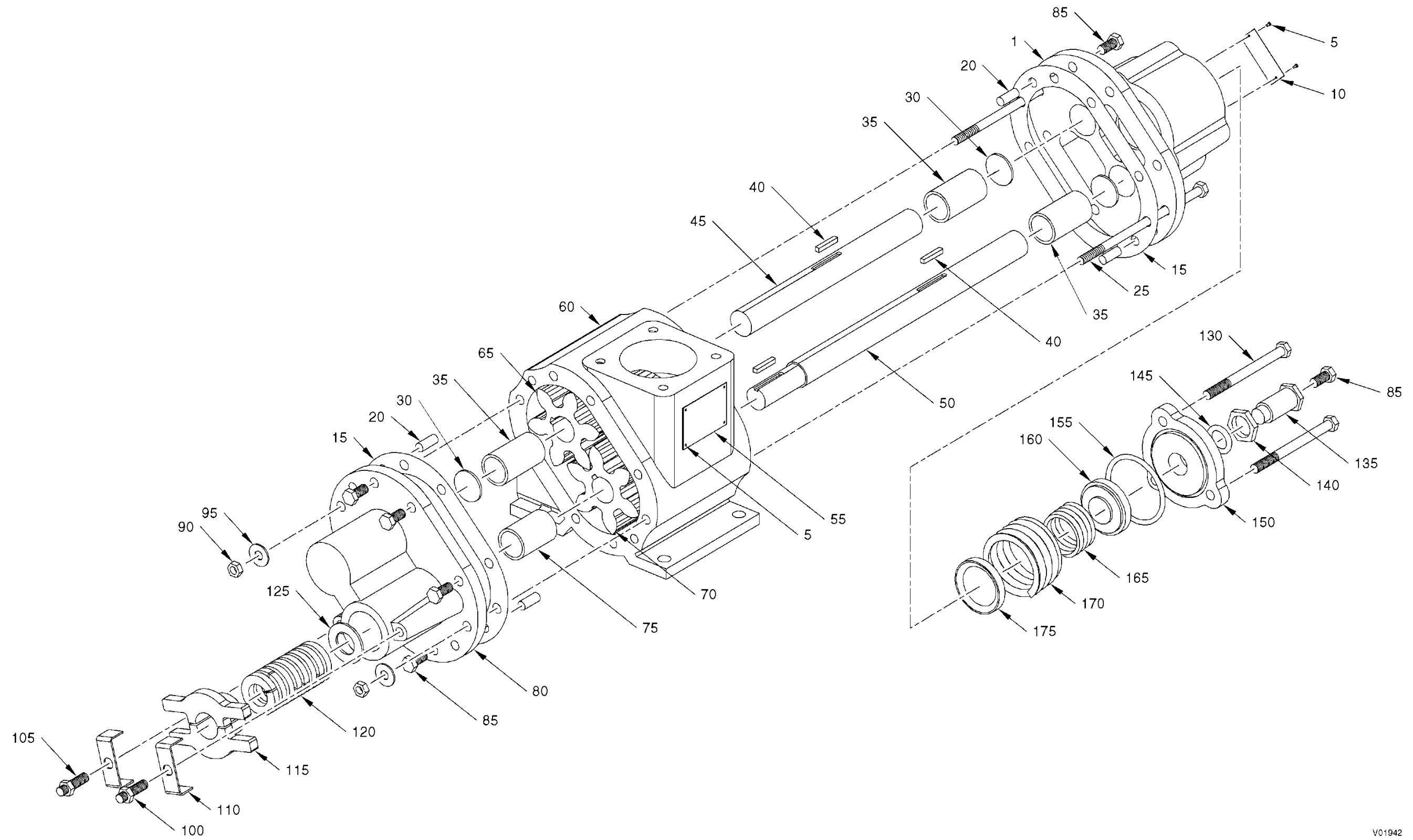


Figure 8-11. 3648 Pump Assembly Packed



Fig	Item	Description	Part No.	Qty
8-11		3648 Pump Assembly Packed	PMP-33721	RF
	1	Plate, Relief	HSG-33702	1
	5	Rd. Hd. Screw Drive Type TU #2 X 0.25	FAS-33704	6
	10	Plate, BearCat Pump I.D.	MSM-33706	1
	15	Gasket, Paper 3648	RNG-29993	2
	20	Dowell Pin 1/2" X 1"	FAS-33655	4
	25	Hex Bolt 7/16" – 14 X 9 1/2" Gr. 8	FAS-28751A	2
	30	Freeze Plug 1 3/4"	FIT-24243	3
	35	Bushing, Long 3648	FIT-26662	3
	40	Key, 1/4" X 1 1/2"	PTM-33711	3
	45	Shaft, Idler	PTM-33707	1
	50	Shaft, Drive 3648 Unmodified	PTM-33709	1
	55	Warning Tag	MSM-33710	1
	60	Housing 3648	HSG-33700	1
	65	Gear 3648, Left-Hand	PTM-33712	1
	70	Gear 3648, Right-Hand	PTM-33713	1
	75	Bushing, Short 3648	PTM-26663	1
	80	Plate, Drive End	HSG-33701	1
	85	Hex Bolt 1/2" – 13 X 1 1/2"	FAS-28762	11
	90	Nut, Stover Lock 7/16" – 14	FAS-28539	2
	95	Washer Flat 7/16"	FAS-28635	2
	100	Nut, Stover Lock 1/2" – 13	FAS-28540	2
	105	Stud 1/2" – 13 X 4"	FAS-28833	2
	110	Clip, Packing Gland Retainer	FAS-33728	2
	115	Gland, 3648 Packing Gland	HSG-33726	1
	120	Packing Set 3648	RNG-33728	1
	125	Washer, Packing	FAS-33729	1
	130	Hex Bolt 1/2" – 13 X 6"	FAS-28919	2
	135	Adjuster Screw	FAS-33719	1
	140	Adjuster Lock Nut	FAS-33718	1
	145	O-Ring 1.25" O.D.	RNG-29999	1
	150	Adjuster Cap	HSG-33717	1
	155	O-Ring 3 1/2" I.D. X 3 3/4" O.D. X 1/8"	RNG-26940	1
	160	Relief Poppet, Outer	HSG-33722	1
	165	Inner Spring	MSC-33716	1
	170	Outer Spring	MSC-33715	1
	175	Relief Poppet, Inner	HSG-33714	1

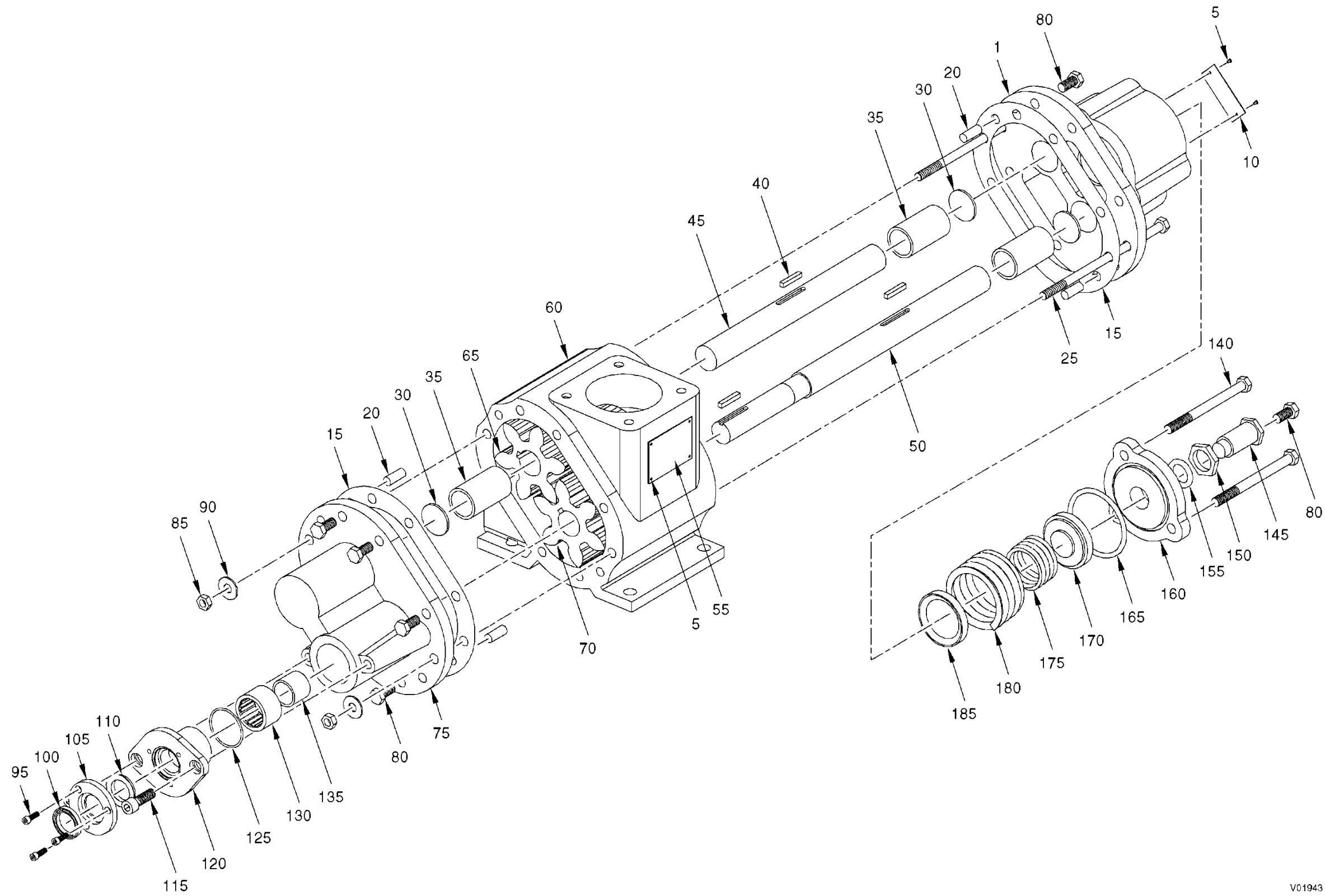


Figure 8-12. 3648 Pump Assembly Modified



Fig	Item	Description	Part No.	Qty
8-12		3648 Pump Assembly Modified	PMP-33720	RF
	1	Plate, Relief	HSG-33702	1
	5	Rd. Hd. Screw Drive Type TU #2 X 0.25	FAS-33704	6
	10	Plate, BearCat Pump I.D.	MSM-33706	1
	15	Gasket, Paper 3648	RNG-29993	2
	20	Dowell Pin 1/2" X 1"	FAS-33655	4
	25	Hex Bolt 7/16" – 14 X 9 1/2" Gr. 8	FAS-28751A	2
	30	Freeze Plug 1 3/4"	FIT-24243	3
	35	Bushing Long 3648	FIT-26662	3
	40	Key, 1/4" X 1 1/2"	PTM-33711	3
	45	Shaft, Idler	PTM-33707	1
	50	Shaft, Drive, 3648 Modified	PTM-33708	1
	55	Warning Tag	MSM-33710	1
	60	Housing 3648	HSG-33700	1
	65	Gear 3648, Left-Hand	PTM-33712	1
	70	Gear 3648, Right-Hand	PTM-33713	1
	75	Plate, Drive End	HSG-33701	1
	80	Hex Bolt 1/2" – 13 X 1 1/2"	FAS-28762	11
	85	Nut, Stover Lock 7/16" – 14	FAS-28539	2
	90	Washer Flat 7/16"	FAS-28635	2
	95	Soc. Hd. Screw 1/4" – 20 X 1/2"	FAS-25463	3
	100	Seal, 3648 Pump Dust Seal	RNG-27238	1
	105	Bracket, Dust Seal	BRK-27548	1
	110	Seal, 3648 Pump Shaft Seal (Fl. Carbon)	RNG-27233	1
	115	Soc. Hd. Screw 1/2" – 13 X 1 3/4"	FAS-25515	2
	120	Housing, 3648 Modified Pump W/Flange	HSG-27545	1
	125	O-Ring 2.25" O.D.	RNG-26934	1
	130	Bearing, McGill MR 24	PTM-26270	1
	135	Bearing, McGill MI 20	PTM-26272	1
	140	Hex Bolt 1/2" – 13 X 6"	FAS-28919	2
	145	Adjuster Screw	FAS-33719	1
	150	Adjuster Lock Nut	FAS-33718	1
	155	O-Ring 1.25" O.D.	RNG-29999	1
	160	Adjuster Cap	HSG-33717	1
	165	O-Ring 3 1/2" I.D. X 3 3/4" O.D. X 1/8"	RNG-26940	1
	170	Relief Poppet, Outer	HSG-33722	1
	175	Inner Spring	MSC-33716	1
	180	Outer Spring	MSC-33715	1
	185	Relief Poppet, Inner	HSG-33714	1

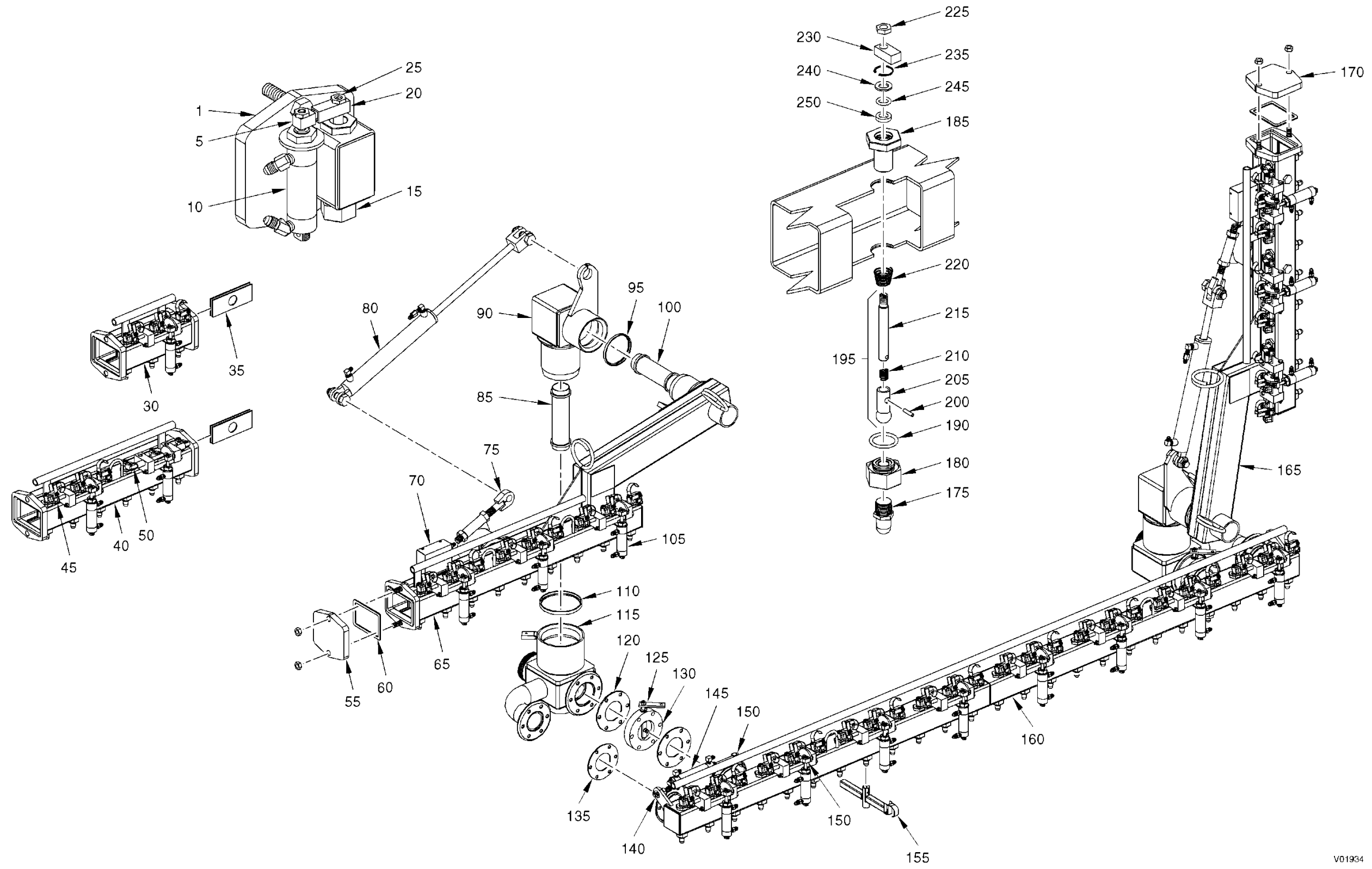


Figure 8-13. Single-Fold Spray Bar



Fig	Item	Description	Part No.	Qty
8-13		Single-Fold Spray Bar		RF
	1	Right-Hand and Left-Hand Marker Assembly	VLV-40549	2
	5	Cylinder Connector Machined	BRK-27330	AR
	10	Spray Bar Cylinder	CYL-27318	AR
	15	Valve Nozzle Bushing 3/8"	FIT-40516	2
	20	Marker Valve Lifter	MCH-27375	2
	25	Nut, Jam 5/16" – 24	FAS-28573	2
	30	1 ft Extension Assembly	HSG-40505	1
	35	Divider Plate	BRK-27625	4
	40	2 ft Extension Assembly	HSG-40506	AR
	45	3-Valve Finger Linkage Assembly	MCH-26386	AR
		• 1 ft Finger Linkage, Weldment	MCH-26399	AR
	50	3-Valve Plain Linkage Assembly	MCH-26389	AR
		• 1 ft Plain Linkage, Weldment	MCH-26394	AR
	55	Male Flange Spray Bar Cap	HSG-27292	AR
	60	Bar Flange Gasket	RNG-29073	AR
	65	Left-Hand 2 ft Wing Weldment	MCH-40527	1
		Left-Hand 3 ft Wing Weldment	MCH-40526	1
		Left-Hand 4 ft Wing Weldment	MCH-40525	1
	70	Box Limit Switch (2-Hole)	HSG-24239	2
		Switch Limit Switch Assembly (Teflon)	ELC-26549	2
	75	Wing Lift Bolt Assembly 7/8"	BRK-40507	2
	80	Cylinder, Single-Fold Wing Lift	CYL-22300	2
	85	Bottom Internal Tube	HSG-27383	2
	90	Upper Swing Joint Assembly	HSG-27575	2
	95	Upper Swing Joint Seal	RNG-27230	2
	100	Top Internal Tube	HSG-27384	2
	105	Spray Bar Cylinder	CYL-27318	14
	110	Lower Swing Joint Seal	RNG-27231	2
	115	Lower Swing Joint Assembly	MCH-27570	2
	120	Gasket 2 1/2" 6-Hole	RNG-29055	4
	125	2 1/2" Butterfly Valve Lever	BRK-27277	2
	130	2 1/2" Butterfly Valve Assembly	VLV-27275	2
	135	Gasket 2" 6-Hole	RNG-29050	2
	140	Adjustment Bolt 2 1/2" Butterfly Valve	BRK-27485	2
	145	Equalizer Air Cylinder	CYL-27316	2
	150	Cylinder Connector Spray Bar	BRK-27330	16



Fig	Item	Description	Part No.	Qty
8-13	155	11/16" Nozzle Wrench	MSC-27176	1
		9/16" Nozzle Wrench	MSC-27182	
		5/8" Nozzle Wrench	MSC-27183	
	160	8 ft Main Bar Weldment	HSG-40520	1
	165	Right-Hand 2 ft Wing Weldment	MCH-40527	1
		Right-Hand 3 ft Wing Weldment	MCH-40526	1
		Right-Hand 4 ft Wing Weldment	MCH-40525	1
	170	Female Flange Spray Bar Cap	HSG-27291	1
	175	Nozzle #1 3/8" NPT X 3/8" Bore	FIT-27200	42
		Nozzle #2 3/8" NPT X 3/8" Bore	FIT-27196	42
		Nozzle #3 3/8" NPT X 3/8" Bore	FIT-27197	42
		Nozzle #4 3/8" NPT X 3/8" Bore	FIT-27198	42
	180	Valve Nozzle Bushing 3/8", Lower	FIT-40516	42
	185	Insert, Valve Stem, Upper	FIT-40511	42
	190	O-Ring, Upper & Lower Bushing	RNG-40520	76
	195	Bar Stem Poppet Assembly	MCH-27414	42
	200	• Roll Pin, Stainless Steel 1/8" X 1/2"	FAS-27359	42
	205	• .563 Ball Valve Assembly	MCH-27364	42
	210	• Poppet Spring	FAS-27356	42
	215	• Valve Stem Stainless Steel Spray Bar	MSM-27416	42
	220	Spring Conical Shaped Valve Stem	FAS-27418	42
	225	Nut, Jam 5/16" – 24	FAS-28573	42
	230	Valve Stem Lifter	MCH-26587	42
	235	Nozzle Snap Ring	RNG-27363	42
	240	Washer S/S Bar Stem	FAS-27362	42
	245	Bar Stem O-Ring Viton 2-110	RNG-26927	42
	250	Bar Stem Seal	RNG-27232	42

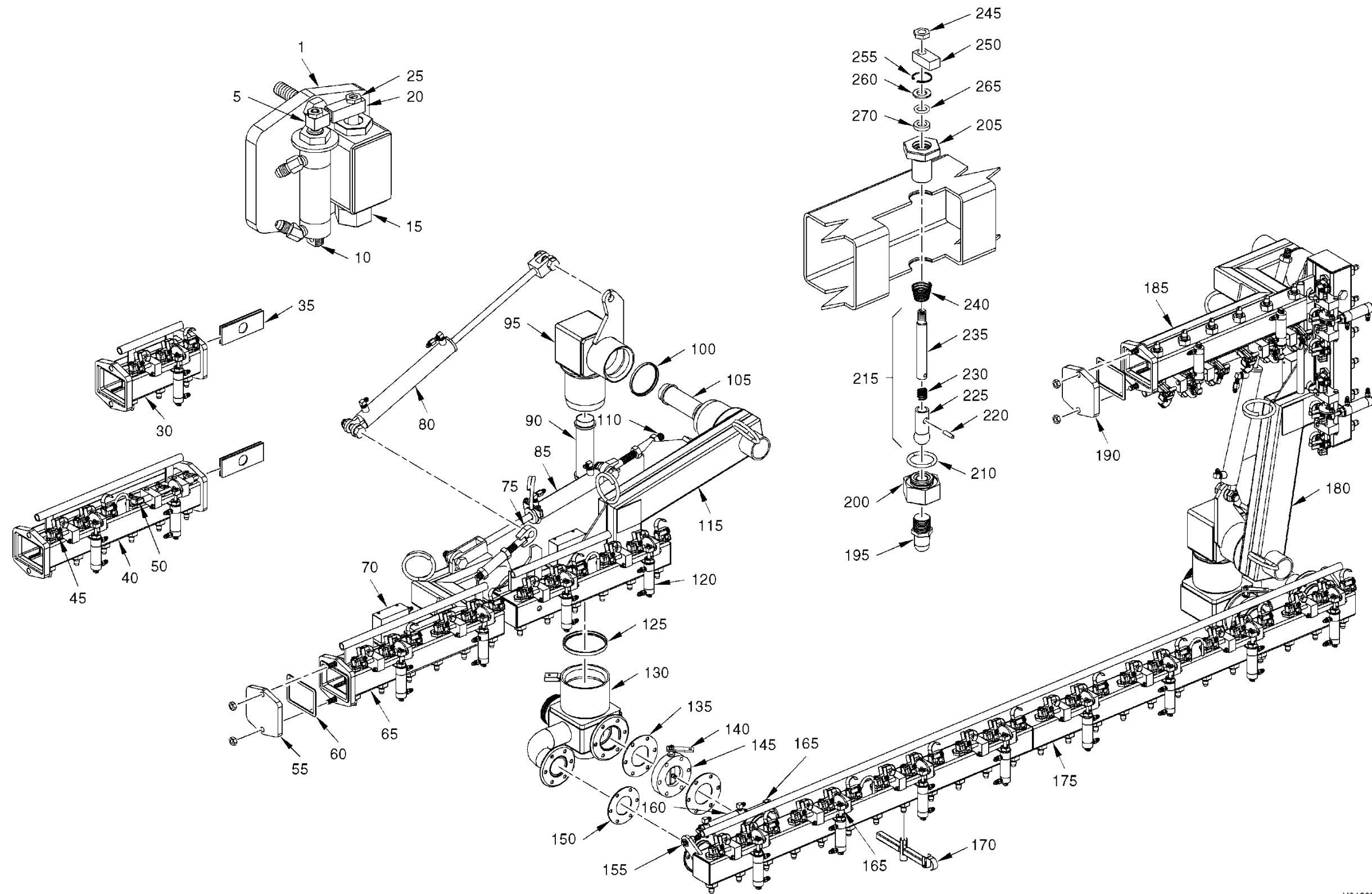




Fig	Item	Description	Part No.	Qty
8-14		Double-Fold Spray Bar		RF
	1	Right-Hand and Left-Hand Marker Assembly	VLV-40549	2
	5	Cylinder Connector Machined	BRK-27330	AR
	10	Spray Bar Cylinder	CYL-27318	AR
	15	Valve Nozzle Bushing 3/8"	FIT-40516	2
	20	Marker Valve Lifter	MCH-27375	2
	25	Nut, Jam 5/16" – 24	FAS-28573	2
	30	1 ft Extension Assembly	HSG-40505	1
	35	Divider Plate	BRK-27625	4
	40	2 ft Extension Assembly	HSG-40506	1
	45	3-Valve Finger Linkage Assembly	MCH-26386	AR
		• 1 ft Finger Linkage, Weldment	MCH-26399	AR
	50	3-Valve Plain Linkage Assembly	MCH-26389	AR
		• 1 ft Plain Linkage, Weldment	MCH-26394	AR
	55	Male Flange Spray Bar Cap	HSG-27292	1
	60	Bar Flange Gasket	RNG-29073	2
	65	Left-Hand 2 ft Outer Wing Weldment, Double-Fold	MCH-40532	1
	70	Box Limit Switch (2-Hole)	HSG-24239	4
	75	Wing Lift Bolt Assembly 7/8"	BRK-40507	2
	80	Cylinder, Single-Fold Wing Lift	CYL-22300	2
	85	Cylinder, Double-Fold Wing Lift	CYL-22028	2
		Switch Limit Switch Assembly (Teflon)	ELC-26549	4
		Cylinder Heavy Duty Wing Lift 2" X 10" Wings	CYL-22302	2
	90	Bottom Internal Tube	HSG-27383	2
	95	Upper Swing Joint Assembly	HSG-27575	2
		Upper Swing Joint Assembly (Over-Sized)	HSG-27576	2
	100	Upper Swing Joint Seal	RNG-27230	2
		Upper Swing Joint Seal (Over-Sized) Wings	RNG-27231	2
	105	Top Internal Tube	HSG-27384	2
	110	Wing Lift Bolt Assembly 7/8"	BRK-40507	2
	115	Left-Hand 2 ft Inner Wing Weldment	MCH-40529	1
		Left-Hand 3 ft Inner Wing Weldment	MCH-40528	1
		Left-Hand 4 ft Inner Wing Weldment	MCH-40530	1
	120	Spray Bar Cylinder	CLY-27318	AR
	125	Lower Swing Joint Seal	RNG-27231	2
		Lower Swing Joint Seal (Over-Sized) Wings Over 5 ft	RNG-27244	2



Fig	Item	Description	Part No.	Qty
8-14	130	Lower Swing Joint Assembly	MCH-27570	2
		Lower Swing Joint Assembly (Over-Sized) Wings Over 5 ft	MCH-27571	2
	135	Gasket 2 1/2" 6-Hole	RNG-29055	4
	140	2 1/2" Butterfly Valve Lever	BRK-27277	2
	145	2 1/2" Butterfly Valve Assembly	VLV-27275	2
	150	Gasket 2" 6-Hole	RNG-29050	2
	155	Adjustment Bolt 2 1/2" Butterfly Valve	BRK-27485	2
	160	Equalizer Air Cylinder	CYL-27316	2
	165	Cylinder Connector Spray Bar	BRK-27330	20
	170	11/16" Nozzle Wrench	MSC-27176	1
		9/16" Nozzle Wrench	MSC-27182	
		5/8" Nozzle Wrench	MSC-27183	
	175	8 ft Main Bar Weldment	HSG-40520	1
	180	Right-Hand 2 ft Inner Wing Weldment	MCH-40529	1
		Right-Hand 3 ft Inner Wing Weldment	MCH-40528	1
		Right-Hand 4 ft Inner Wing Weldment	MCH-40530	1
	185	Right-Hand 2 ft Outer Wing Weldment, Double-Fold	MCH-40532	1
	190	Female Flange Spray Bar Cap	HSG-27291	1
	195	Nozzle #1 3/8" NPT X 3/8" Bore	FIT-27200	54
		Nozzle #2 3/8" NPT X 3/8" Bore	FIT-27196	54
		Nozzle #3 3/8" NPT X 3/8" Bore	FIT-27197	54
		Nozzle #4 3/8" NPT X 3/8" Bore	FIT-27198	54
	200	Valve Nozzle Bushing 3/8", Lower	FIT-40516	54
	205	Insert, Valve Stem, Upper	FIT-40511	54
	210	O-Ring, Upper & Lower Bushing	RNG-40520	96
	215	Bar Stem Poppet Assembly	MCH-27414	54
	220	• Roll Pin, Stainless Steel 1/8" X 1/2"	FAS-27359	54
	225	• .564 Ball Valve Assembly	MCH-27364	54
	230	• Poppet Spring	FAS-27356	54
	235	• Valve Stem Stainless Steel Spray Bar	MSM-27416	54
	240	Spring Conical Shaped Valve Stem	FAS-27418	54
	245	Nut, Jam 5/16" – 24	FAS-28573	54
	250	Valve Stem Lifter	MCH-26587	54
	255	Nozzle Snap Ring	RNG-27363	54
	260	Washer Stainless Steel Bar Stem	FAS-27362	54
	265	Bar Stem O-Ring Viton 2-110	RNG-26927	54
	270	Bar Stem Seal	RNG-27232	54

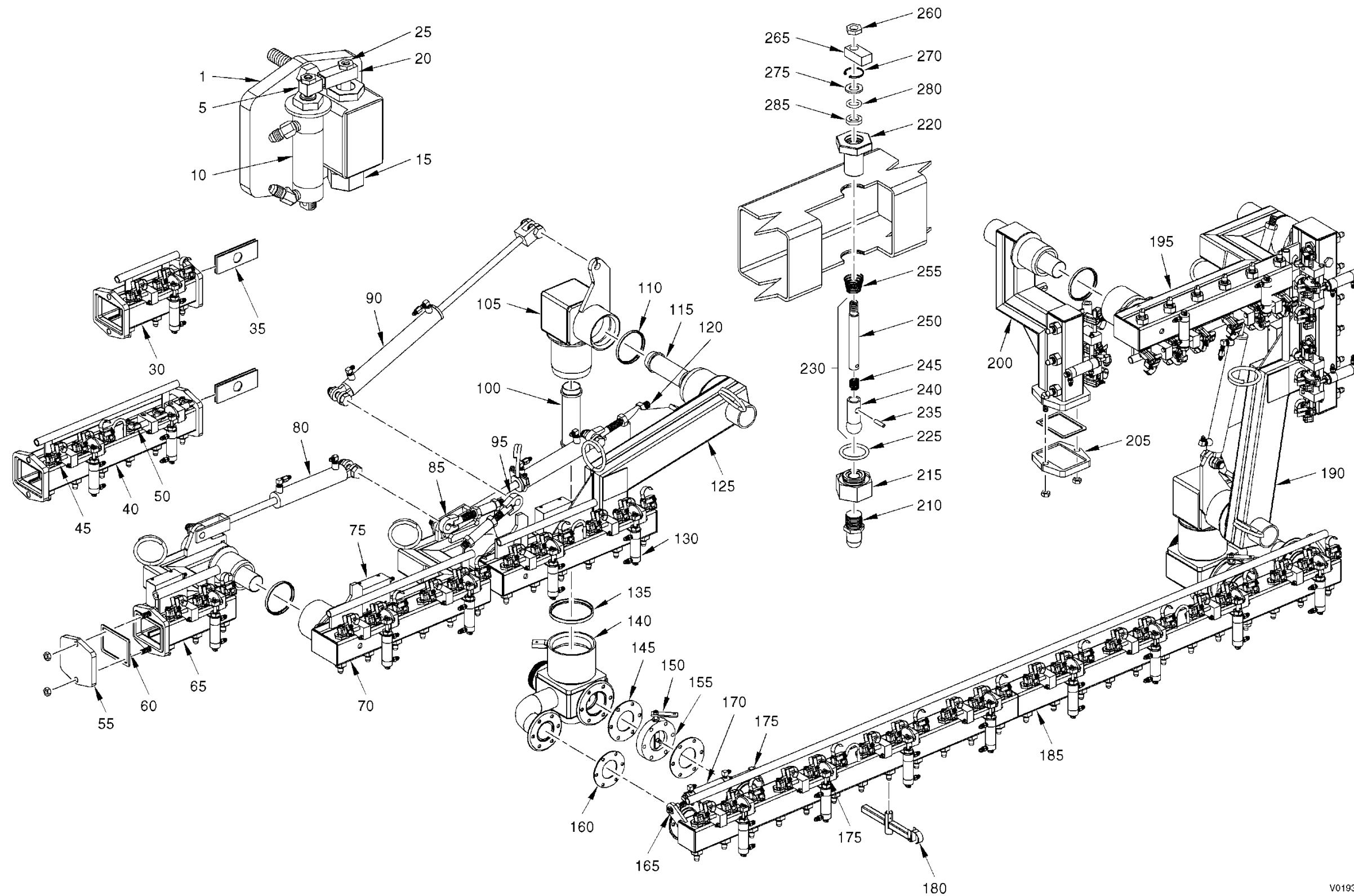


Figure 8-15. Triple-Fold Spray Bar



Fig	Item	Description	Part No.	Qty
8-15		Triple-Fold Spray Bar		RF
	1	Right-Hand and Left-Hand Marker Assembly	VLV-40549	2
	5	Cylinder Connector Machined	BRK-27330	AR
	10	Spray Bar Cylinder	CYL-27318	AR
	15	Valve Nozzle Bushing 3/8"	FIT-40516	2
	20	Marker Valve Lifter	MCH-27375	2
	25	Nut, Jam 5/16" – 24	FAS-28573	2
	30	1 ft Extension Assembly	HSG-40505	1
	35	Divider Plate	BRK-27625	4
	40	2 ft Extension Assembly	HSG-40506	1
	45	3-Valve Finger Linkage Assembly	MCH-26386	AR
		• 1 ft Finger Linkage, Weldment	MCH-26399	AR
	50	3-Valve Plain Linkage Assembly	MCH-26389	AR
		• 1 ft Plain Linkage, Weldment	MCH-26394	AR
	55	Male Flange Spray Bar Cap	HSG-27292	1
	60	Bar Flange Gasket	RNG-29073	2
	65	Left-Hand 1 ft Outer Wing Weldment, Triple-Fold	MCH-40531	1
	70	Left-Hand 2 ft Mid Wing Weldment, Triple-Fold	MCH-40533	1
	75	Box Limit Switch (2-Hole)	HSG-24239	6
		Switch Limit Switch Assembly (Teflon)	ELC-26549	6
	80	Cylinder, Double-Fold Wing Lift	CYL-22028	4
	85	Wing Lift Bolt Assembly 7/8"	BRK-40507	6
	90	Cylinder Heavy Duty Wing Lift 2" X 10"	CYL-22302	2
	95	Wing Lift Bolt Assembly (Heavy Duty Cylinder)	MCH-40507	2
	100	Bottom Internal Tube	HSG-27383	2
	105	Upper Swing Joint Assembly (Over-Sized)	HSG-27576	2
	110	Upper Swing Joint Seal (Over-Sized Swing Joint)	RNG-27231	2
	115	Top Internal Tube	HSG-27384	2
	120	Wing Lift Bolt Assembly 7/8"	BRK-40507	2
	125	Left-Hand 2 ft Inner Wing Weldment, Heavy Swing Joint	MCH-40529	1
		Left-Hand 3 ft Inner Wing Weldment, Heavy Swing Joint	MCH-40528	1
		Left-Hand 4 ft Inner Wing Weldment, Heavy Swing Joint	MCH-40530	1
	130	Spray Bar Cylinder	CYL-27318	AR
	135	Lower Swing Joint Seal (Over-Sized Swing Joint)	RNG-27244	2
	140	Lower Swing Joint Assembly (Over-Sized)	MCH-27571	2
	145	Gasket 2 1/2" 6-Hole	RNG-29055	4
	150	2 1/2" Butterfly Valve Lever	BRK-27277	2
	155	2 1/2" Butterfly Valve Assembly	VLV-27275	2

**Model BC501/CRC 2002****Illustrated Parts List**

Fig	Item	Description	Part No.	Qty
8-15	160	Gasket 2" 6-Hole	RNG-29050	2
	165	Adjustment Bolt 2 1/2" Butterfly Valve	BRK-27485	2
	170	Equalizer Air Cylinder	CYL-27316	2
	175	Cylinder Connector Spray Bar	BRK-27330	22
	180	11/16" Nozzle Wrench	MSC-27176	1
		9/16" Nozzle Wrench	MSC-27182	
		5/8" Nozzle Wrench	MSC-27183	
	185	8 ft Main Bar Weldment	HSG-40520	1
	190	Right-Hand 2 ft Inner Wing Weldment	MCH-40529	1
		Right-Hand 3 ft Inner Wing Weldment	MCH-40528	1
		Right-Hand 4 ft Inner Wing Weldment	MCH-40530	1
	195	Right-Hand 2 ft Mid Wing Weldment, Triple-Fold	MCH-40533	1
	200	Right-Hand 1 ft Outer Wing Weldment, Triple-Fold	MCH-40531	1
	205	Female Flange Spray Bar Cap	HSG-27291	1
	210	Nozzle #1 3/8" NPT X 3/8" Bore	FIT-27200	60
		Nozzle #2 3/8" NPT X 3/8" Bore	FIT-27196	60
		Nozzle #3 3/8" NPT X 3/8" Bore	FIT-27197	60
		Nozzle #4 3/8" NPT X 3/8" Bore	FIT-27198	60
	215	Valve Nozzle Bushing 3/8", Lower	FIT-40516	60
	220	Insert, Valve Stem, Upper	FIT-40511	60
	225	O-Ring, Upper & Lower Bushing	RNG-40520	108
	230	Bar Stem Poppet Assembly	MCH-27414	60
	235	• Roll Pin, Stainless Steel 1/8" X 1/2"	FAS-27359	60
	240	• .564 Ball Valve Assembly	MCH-27364	60
	245	• Poppet Spring	FAS-27356	60
	250	• Valve Stem Stainless Steel Spray Bar	MSM-27416	60
	255	Spring Conical Shaped Valve Stem	FAS-27418	60
	260	Nut, Jam 5/16" – 24	FAS-28573	60
	265	Valve Stem Lifter	MCH-26587	60
	270	Nozzle Snap Ring	RNG-27363	60
	275	Washer Stainless Steel Bar Stem	FAS-27362	60
	285	Bar Stem Seal	RNG-27232	60
	280	Bar Stem O-Ring Viton 2-110	RNG-26927	60

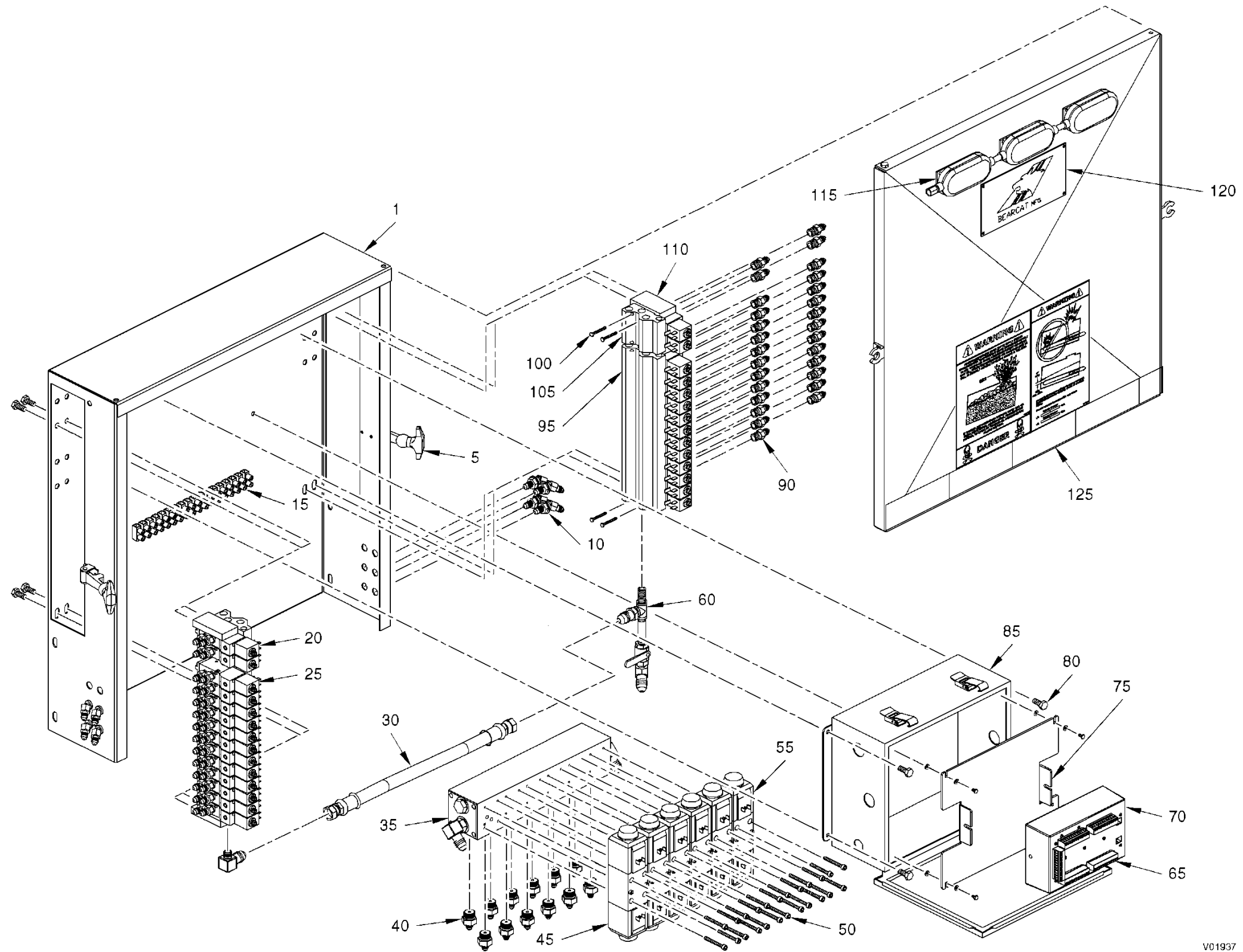


Figure 8-16. Valve Box Assembly

**Model BC501/CRC 2002****Illustrated Parts List**

Fig	Item	Description	Part No.	Qty
8-16		Valve Box Assembly		RF
	1	Valve Box Enclosure	HSG-24365	1
	5	T-Handle Flex Latch & Clip	FAS-24338	2
	10	Fitting, C5375X4X4	45D4MJ- 4MJBH	8
	15	12-Lug Barrier Strip	ELC-24230	1 1/2
	20	Versa Coil 4-Way Valve	ELC-26961	28
	25	Versa Air Valve 4-Way (C-5 options)	VLV-26960	28
	30	Jumper Hose	MSC-52171	1
	35	6-Station Series Manifold	MSC-22056	1
		4-Station Series Manifold	MSC-22335	1
	40	Fitting, C5315X4X8	8MB-4MJ	12
	45	Hydraulic Valve Open/Center 2-Plug Coil	VLV-100076	6
	50	Soc. Hd. Cap Screw 10 – 24 X 1 1/4"	FAS-25453	24
	55	Hydraulic Valve Coil (2-Prong)	ELC-26979	12
	60	1/4" Ball Valve	VLV-29200	1
	65	12-Pin Plug Slave Unit	ELC-26230	5
	70	CRC Slave Unit	MTR-26225	1
	75	Backing Plate	BRK-24256	1
	80	Bolt 5/16" – 18 X 3/4"	FAS-28715	12
	85	Enclosure Modified	HSG-24254	1
	90	Fitting, C5205X4	4MJ-2MP	56
	95	Versa Air Manifold 12-Station/12 Valves	VLV-26990	2
	100	Soc. Hd. Cap Screw 6 – 32 X 1 1/2"	FAS-25447	4
	105	Versa Air Manifold 2-Station	MSC-27002	2
	110	Right-Hand & Left-Hand Mounting Block Versa	BRK-24358	4
	115	ICC Lights	ELC-24212	1
	120	Logo Plate, BearCat	MSM-26187	1
	125	Valve Box Cover Assembly	HSG-24376	1

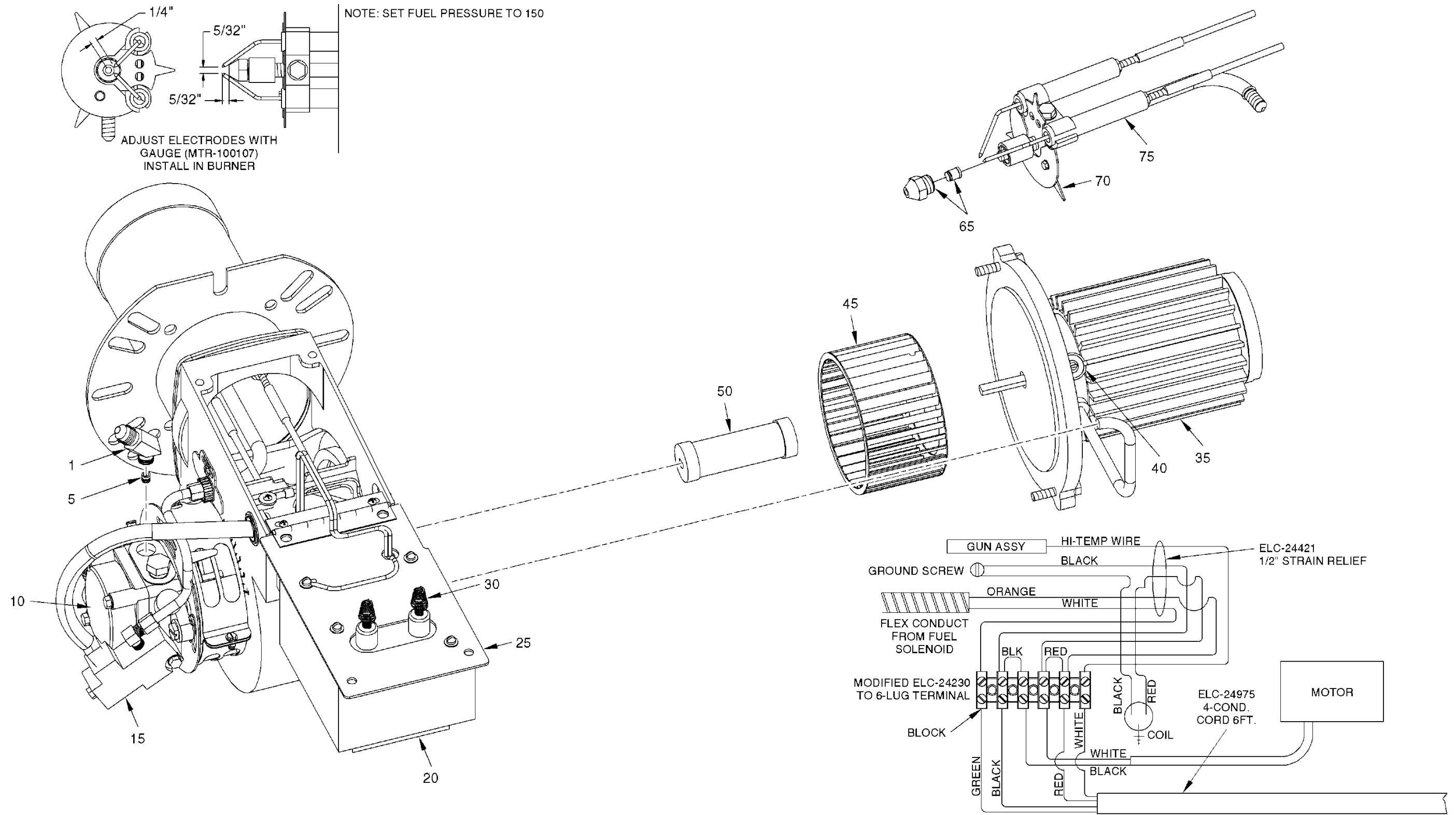


Figure 8-17. Diesel Burner Assembly



Fig	Item	Description	Part No.	Qty
8-17		Diesel Burner Assembly		RF
	1	Fitting, C5355X8X4	45D8MJ-4MP	1
	5	Soc. Hd. Pipe Plug 1/16"	Provided W/Burner	1
	10	Pump, Fuel Beckett (Truck)	PMP-24980	1
	15	Fuel Solenoid	VLV-24953	1
	20	Ignition Coil	ELC-81180	1
	25	Ignition Coil W/Lid	ELC-24970	1
	30	Spring, Ignition Coil	ELC-24948	2
	35	Motor, Electric (Met) Burner	ELC-24968	1
	40	Brush Kit, Met Motor	ELC-80690	1
	45	Squirrel Cage Fan	MCH-24951	1
	50	Drive Coupling	FIT-24957	1
	- 55	Locknut Steel	ELC-24170	1
	- 60	Strain Relief 1/2"	ELC-24421	1
	65	Nozzle/Screen Burner 3.50 X 45B	FIT-24951	1
	70	Electrode/Fuel Tube Assembly (Hose Nozzle)	ELC-24950	1
	75	Electrode	ELC-24954	2
	- 80	Screw 10 - 24 X 1/4"	FAS-25822	2

NOTE: A dash (-) before the item number indicates the item is not illustrated on that figure.

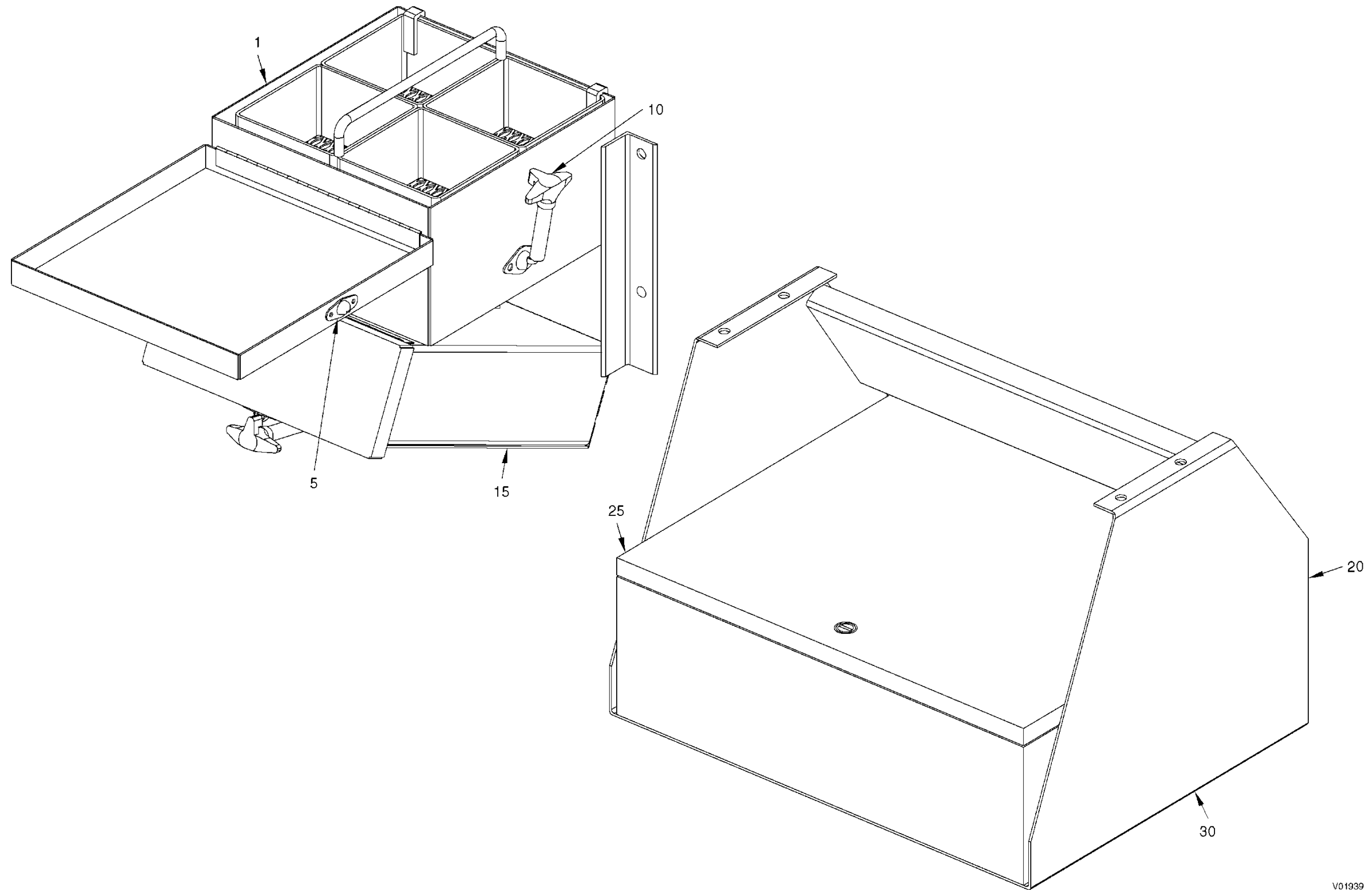
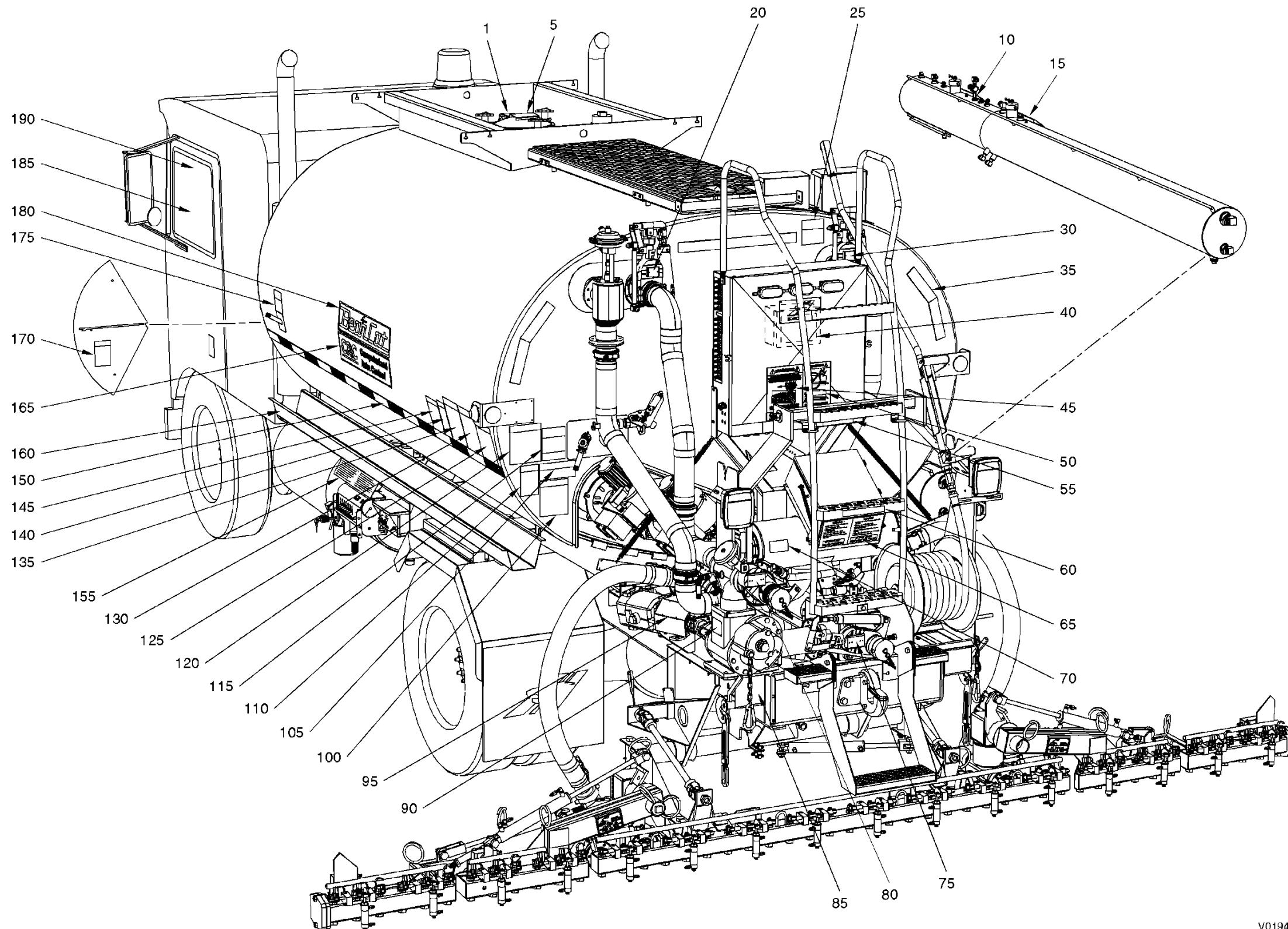


Figure 8-18. Wet Box and Glove Box Options



Fig	Item	Description	Part No.	Qty
8-18		Wet Box and Glove Box Options		RF
	1	Strainer Nozzle/Glove Box	FTR-27715	1
	5	T-Handle Latch Bracket	FAS-24387A	2
	10	T-Handle Latch	FAS-24387	2
	15	Box Nozzle Strainer/Glove Box Assembly	HSG-27714	1
	20	Box, Wet Tool Box Assembly	OPT-24247	1
	25	Box Enclosure 20" X 16" X 6"	HSG-24248	1
	30	Bracket, Wet Tool Box	BRK-23180	1



V01940

Figure 8-19. Safety Decals and Plates



Fig	Item	Description	Part No.	Qty.
8-19		Safety Decals and Plates		RF
	1	Plate, Information DOME LID MEETS DOT SPECS.	MSM-26159	1
	5	Decal, WARNING ERUPTION/EXPLOSION	DCL-21207	1
	10	Decal, CAUTION BIODEGRADABLE SOLVENTS OR OILS	DCL-21479	1
	15	Decal, CAUTION FLUSH FUEL ONLY	DCL-21478	1
	20	Plate, Valve ID. "F" TANK CIRCULATE	MSM-26171	1
	25	Decal, CAUTION HOT SURFACES REMAIN CLEAR UNTIL COOL	MSM-80039	1
	30	Plate, Valve ID. "G" TANK CIRCULATE	MSM-26172	1
	35	Tape, Conspicuity Silver 2" Wide	MSM-21303	1
	40	Decal, Warranty NO MODIFICATION IN OR AROUND BOX	DCL-100094	1
	45	Decal, WARNING DANGER HOT ASPHALT ON EMULSIFIED ASPHALT	DCL-21204	1
	50	Decal, WARNING BURNER USE	DCL-21203	1
	- 53	Plate, Valve ID. "C" TANK VALVE	MSM-26181	1
	55	Decal, CAUTION REMOVE LOAD HOSE BEFORE CLIMBING LADDER	DCL-21490	1
	60	Decal WATCH YOUR STEP	DCL-51729	1
	65	Plate, WARNING BILINGUAL REAR CONTROL BOX	MSM-52115	1
	70	Plate, Valve ID. "E" SPRAY BAR	MSM-26170	1
	75	Plate, Valve ID. "A" IN-PUMP FORWARD OUT-PUMP REVERSE	MSM-26167	1
	80	Plate, Valve ID. "D" IN-PUMP REVERSE OUT-PUMP FORWARD	MSM-26169	1
	85	Plate ASPHALT PUMP FLOW DIRECTION FORWARD AND REVERSE	MSM-26174	1
	90	Plate, WARNING CARGO PUMP HAZARDS	MSM-33710	1
	95	Decal, CAUTION ALWAYS HAVE SHIELD & REMAIN CLEAR	DCL-21209	1

**Model BC501/CRC 2002****Illustrated Parts List**

Fig	Item	Description	Part No.	Qty.
8-19	100	Decal, WARNING BURNER/MATERIAL HAZARD	DCL-21202	1
	105	Decal, WARNING BURNER MUST NOT BE OPERATED	DCL-26163	1
	110	Decal, WARNING FILL LINE CAP OR CONNECTION	DCL-21211	1
	115	Plate, CAUTION SAMPLE VALVE HOT ASPHALT DISCHARGE 450 DEG F.	MSM-50078	1
	120	Decal, WARNING DIESEL BURNER OPERATION (BURNER OPTION)	MSM-80043	1
	125	Decal, DANGER EXPLOSION HAZARD	DCL-21205	1
	130	Decal, CAUTION READ AND UNDERSTAND MANUAL	DCL-21210	1
	135	Plate, WARNING SAFETY HAZARDS	DCL-80042	1
	140	Decal, WARNING ASPHALT GRADES	DCL-21208	1
	145	Decal, WARNING MATERIAL HAZARD	DCL-21201	1
	150	Tape, Conspicuity Red/Silver 2" Wide	MSM-21302	1
	155	Panel, Engraved Selector Asphalt Valve Control	MSM-35125	1
	160	Kit, Decal, DANGER NEVER GET UNDER BOTH SIDES OF FRAME	DCL-21213	1
	165	Decal, CRC COMPUTERIZED RATE CONTROL	MSM-26195	1
	170	Decal, WARNING DO NOT EXCEED GVWR OR GAWR	DCL-21212	1
	175	Decal, CAUTION HOT SURFACES REMAIN CLEAR UNTIL COOL	MSM-80039	1
	180	Decal, BEARCAT	MSM-26188	1
	185	Kit, Decal, CAUTION POWER TAKE OFF (NEAR PTO CONTROL)	DCL-21213	1
	190	Kit, Decal, WARNING NEVER GET UNDER TRUCK (ON VISOR)	DCL-21213	1

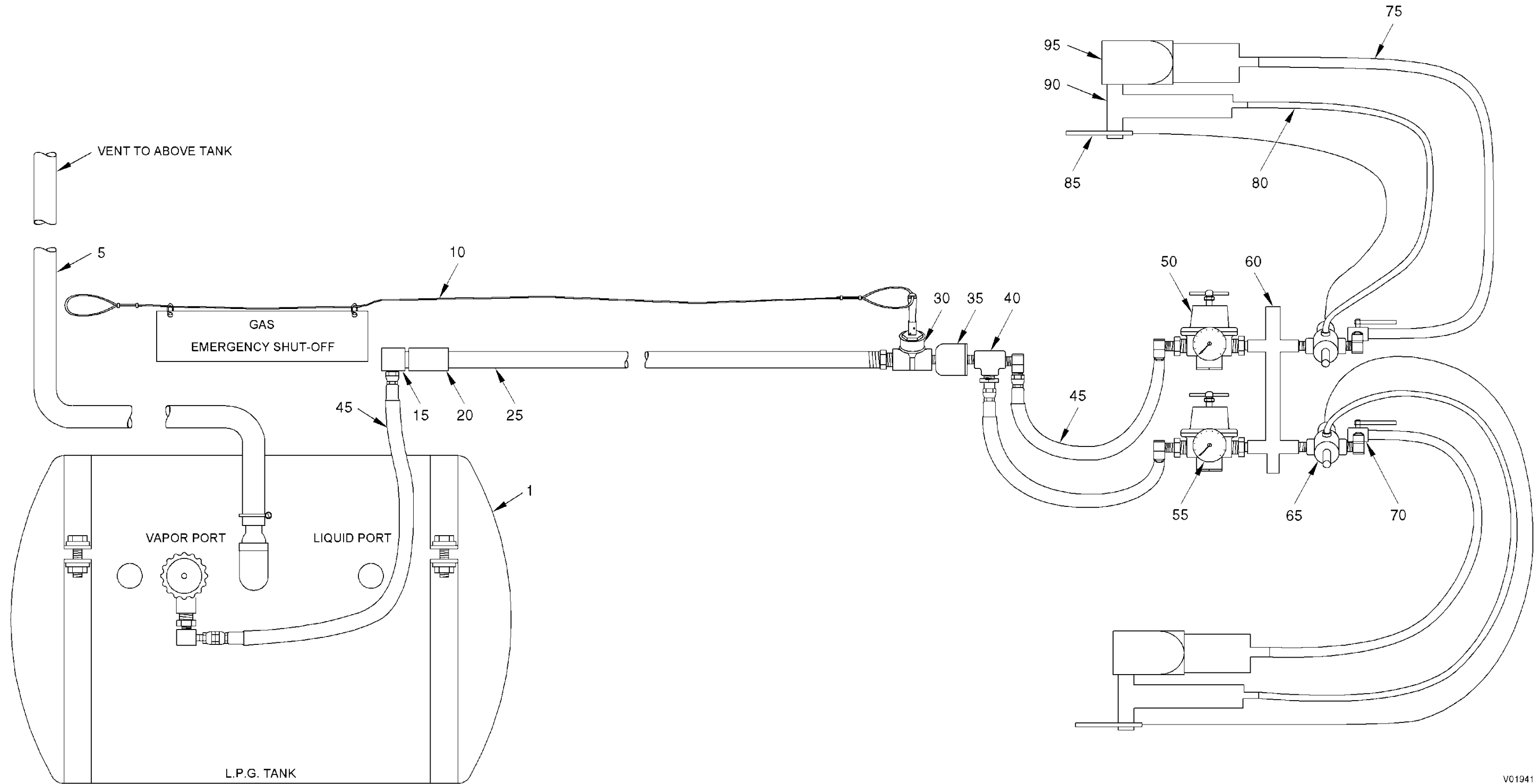


Figure 8-20. Propane Heating System



Fig	Item	Description	Part No.	Qty
8-20		Propane Heating System		RF
	1	LPG Tank		1
	5	1" Flex Pipe		AR
	10	1/8" Stainless Steel Cable		AR
	15	90-Degree 6MJX8MP Adapter		1
	20	1/2" Sch-80 Pipe Coupler		1
	25	1/2" Sch-80 Pipe		AR
	30	Emergency Shut-Off Valve	VLV-22320	1
	35	Inline Propane Filter	FTR-80266	1
	40	1/4" Sch-80 Pipe Tee		1
	45	#6 Braided Propane Hose		3
	50	Propane Regulator	MTR-25068	2
	55	Pressure Gauge	MTR-22351	2
	60	Bracket, Bolster, Dual Propane Valve	BRK-25189	1
	65	Gas Safety Valve	VLV-80703	2
	70	1/4" Ball Valve	VLV-29200	2
	75	3/8" Steel Tubing		AR
	80	1/8" Steel Tubing		AR
	85	72" Thermocouple	MTR-80723	2
	90	P8SSC Pilot	PMP-25076	2
	95	Vapor Burner, Ransome B-4	PMP-25074	2

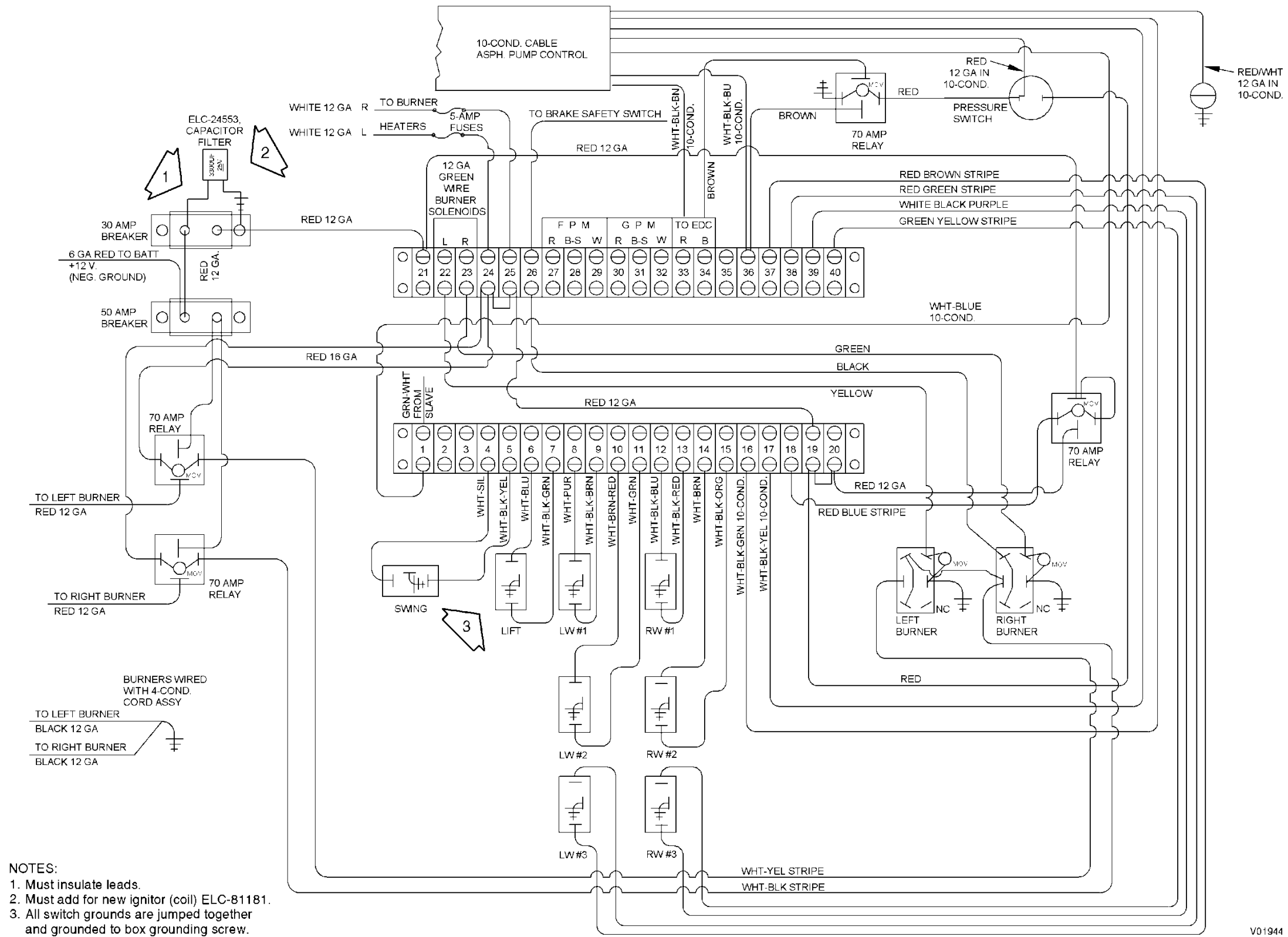


Figure 9-1. Rear Control Box Schematic

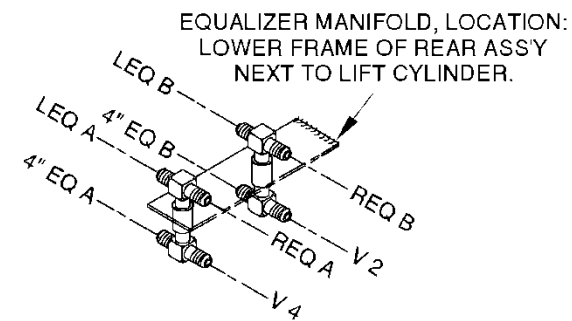
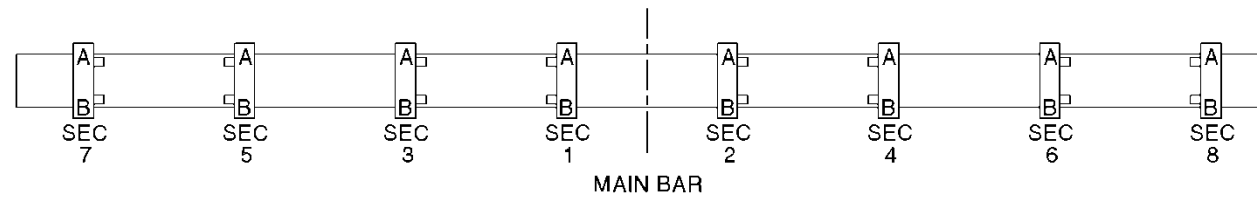
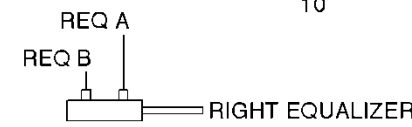
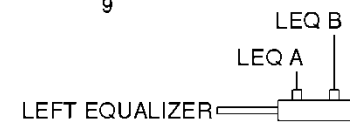
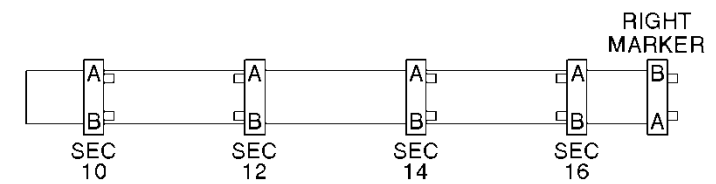
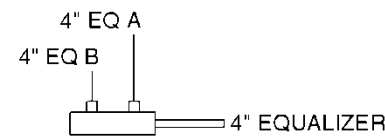
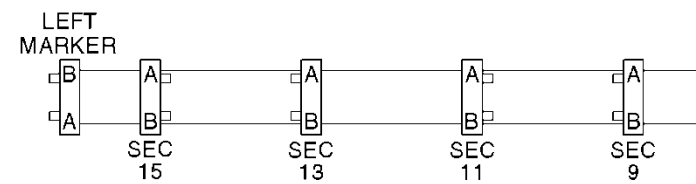
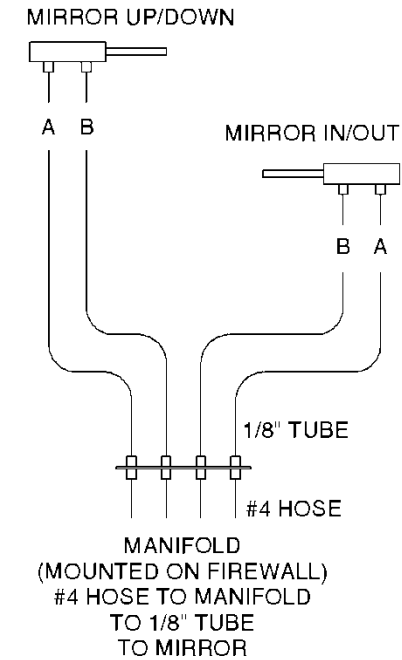
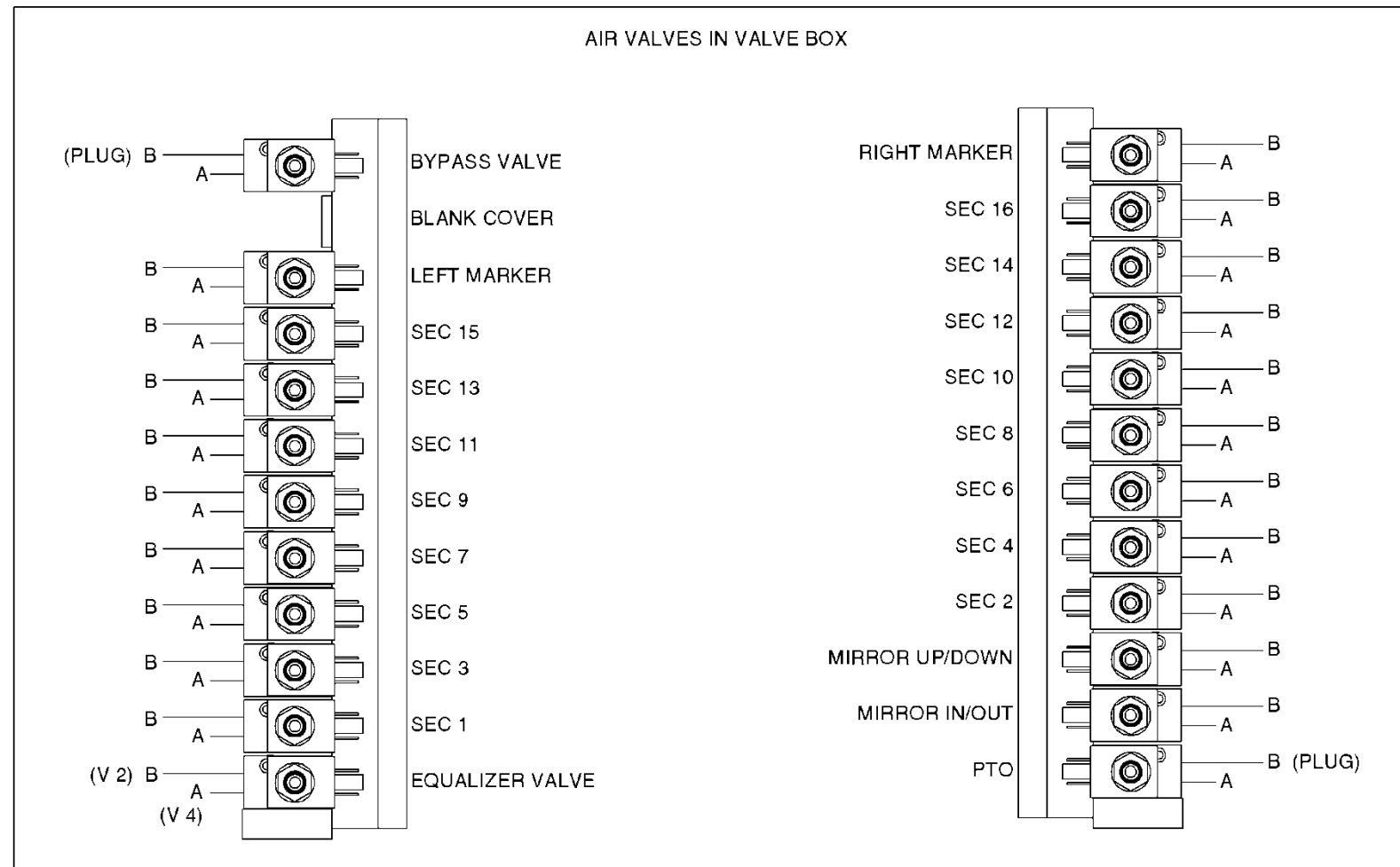
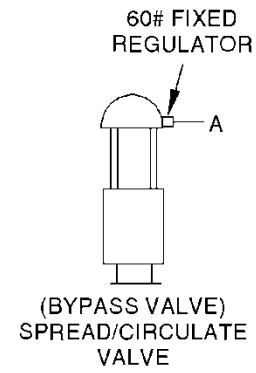


Figure 9-3. Rear Assembly Air Hosing Schematic

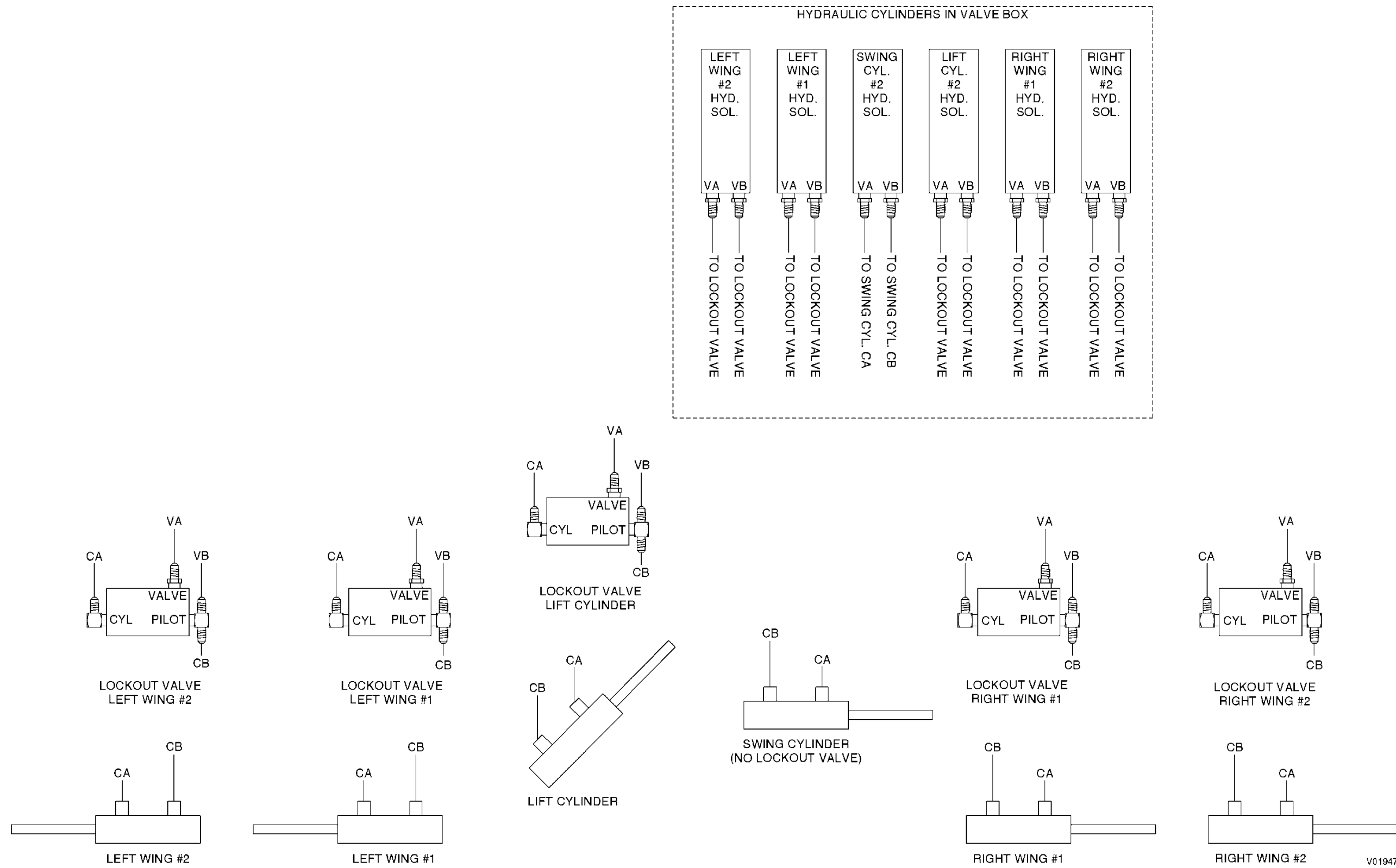


Figure 9-4. Rear Assembly Hydraulic Hosing Schematic

SECTION 2. PARTS INDEX

This section contains an alphabetical listing of parts for the BC501/CRC 2002. The part description, part number, and illustrated parts list (IPL) figure number and item number is given. Standard hardware such as nuts, bolts, and washers is not included in this parts index. Standard hardware is listed in the applicable figure of the IPL.

Description	Part No.	Fig	Item
1/2" Sch-80 Pipe		8-20	25
1/2" Sch-80 Pipe Coupler		8-20	20
1/4" Sch-80 Pipe Tee		8-20	40
1/8" Stainless Steel Cable		8-20	10
1/8" Steel Tubing		8-20	80
1" Flex Pipe		8-20	5
10-Conductor Cable in 1/2" Flex Conduit		8-10	35
12-Pin Plug Slave Unit	ELC-26230	8-16	65
3/8" Steel Tubing		8-20	75
1 ft Finger Linkage, Weldment	MCH-26399	8-13	
1 ft Finger Linkage, Weldment	MCH-26399	8-14	
1 ft Finger Linkage, Weldment	MCH-26399	8-15	
1 ft Plain Linkage, Weldment	MCH-26394	8-13	
1 ft Plain Linkage, Weldment	MCH-26394	8-14	
1 ft Plain Linkage, Weldment	MCH-26394	8-15	
3-Valve Finger Linkage Assembly	MCH-26386	8-13	45
3-Valve Finger Linkage Assembly	MCH-26386	8-14	45
3-Valve Finger Linkage Assembly	MCH-26386	8-15	45
3-Valve Plain Linkage Assembly	MCH-26389	8-13	50
3-Valve Plain Linkage Assembly	MCH-26389	8-14	50
3-Valve Plain Linkage Assembly	MCH-26389	8-15	50
4-Station Series Manifold	MSC-22335	8-16	
6-Station Series Manifold	MSC-22056	8-16	35
90-Degree 4MJ-4MP	90D4MJ-4MP	8-9	55
90-Degree 4MJ-4MP X-Long	90D4MJ-4MP-XL	8-9	50
90-Degree 6MJ-8MP Adapter	90D6MJ-8MP	8-20	15

A

Actuator Arm	BRK-50552	8-4	60
--------------	---------------------------	-----	----



Description	Part No.	Fig	Item
Adjuster Cap	HSG-33717	8-11	150
Adjuster Cap	HSG-33717	8-12	160
Adjuster Lock Nut	FAS-33718	8-11	140
Adjuster Lock Nut	FAS-33718	8-12	150
Adjuster Screw	FAS-33719	8-11	135
Adjuster Screw	FAS-33719	8-12	145
Adjuster Stud	FAS-26326	8-3	85
Adjustment Bolt, 2 1/2" Butterfly Valve	BRK-27485	8-13	140
Adjustment Bolt, 2 1/2" Butterfly Valve	BRK-27485	8-14	155
Adjustment Bolt, 2 1/2" Butterfly Valve	BRK-27485	8-15	165
Air Cylinder	CYL-27315	8-3	25
Air Cylinder	CYL-27318	8-3	30
Air Cylinder (1 1/16" X 2")	CYL-100092	8-5	30
Air Cylinder, Equalizer	CYL-27316	8-13	145
Air Cylinder, Equalizer	CYL-27316	8-14	160
Air Cylinder, Equalizer	CYL-27316	8-15	170
Air Cylinder, Large Butterfly	CYL-27321	8-5	45
Air Cylinder, Slide Valve	CYL-27324	8-5	
Air Cylinder, Tank Valve	CYL-27323	8-4	45
Air Regulator 60 lb Fixed	VLV-26200	8-5	1
Alarm, Back Up	ELC-293	8-6	200
Arm	MCH-35121	8-9	125
Arm Extension	MCH-35123	8-9	70
Arm Pivot	MCH-35120	8-9	110
Asphalt Valve Selector Assembly		8-9	

B

Back Panel	HSG-35117	8-9	20
Backing Plate	BRK-24256	8-16	75
Ball Valve Assembly, .563	MCH-27364	8-13	205
Ball Valve Assembly, .563	MCH-27364	8-14	225
Ball Valve Assembly, .563	MCH-27364	8-15	240
Ball Valve, 1/4"	VLV-29200	8-16	60
Ball Valve, 1/4"	VLV-29200	8-20	70



Description	Part No.	Fig	Item
Bar Feed Hose Lower Elbow	MSC-27495	8-5	201
Bar Feed Hose Upper Elbow	MSC-27494	8-5	190
Bar Hanger Cross Brace	BRK-26428	8-6	100
Bar Hanger Equalizer Assembly	BRK-26368	8-6	125
Bar Hanger Holder, Screw Captivator	BRK-26426	8-6	50
Bar Hanger Pivot	MCH-52043	8-6	60
Bar Hanger Straps	BRK-26345	8-6	85
Bar Stem O-Ring Viton 2-110	RNG-26927	8-13	245
Bar Stem O-Ring Viton 2-110	RNG-26927	8-14	265
Bar Stem O-Ring Viton 2-110	RNG-26927	8-15	280
Bar Stem Poppet Assembly	MCH-27414	8-13	195
Bar Stem Poppet Assembly	MCH-27414	8-14	215
Bar Stem Poppet Assembly	MCH-27414	8-15	230
Bar Stem Seal	RNG-27232	8-13	250
Bar Stem Seal	RNG-27232	8-14	270
Bar Stem Seal	RNG-27232	8-15	285
Barrier Strip, 12-Lug	ELC-24230	8-16	15
Barrier Strip, 20-Lug	ELC-24220	8-2	60
Beacon	ELC-24215	8-4	135
Bearing, McGill MI 20	PTM-26272	8-12	135
Bearing, McGill MR 24	PTM-26270	8-12	130
Blank Cover	MSM-35102	8-9	60
Box Enclosure 20" X 16" X 6"	HSG-24248	8-18	25
Box Limit Switch (2-Hole)	HSG-24239	8-13	70
Box Limit Switch (2-Hole)	HSG-24239	8-14	70
Box Limit Switch (2-Hole)	HSG-24239	8-15	75
Box Nozzle Strainer/Glove Box Assembly	HSG-27714	8-18	15
Box W/Weather Guard	HSG-35139	8-10	1
Box, Wet Tool Box Assembly	OPT-24247	8-18	20
Bracket, Angle	BRK-52061	8-6	5
Bracket, Bolster, Dual Propane Valve	BRK-25189	8-20	60
Bracket, Cargo Pump	BRK-27475	8-6	65
Bracket, Dust Seal	BRK-27548	8-12	105
Bracket, E.V. Tank Mounting	BRK-21482	8-4	125
Bracket, Filter Base	BRK-22549	8-7	25
Bracket, Filter Base	BRK-22549	8-8	25
Bracket, Grip Strut	BRK-21251	8-4	185
Bracket, Hose Reel	BRK-52062	8-6	105



Description	Part No.	Fig	Item
Bracket, Hose Trough	BRK-23251A	8-4	180
Bracket, License Plate	BRK-23264	8-6	195
Bracket, Lift Cylinder	BRK-52045	8-6	145
Bracket, Lock-Out Valve	BRK-26546	8-6	20
Bracket, Marker Light	BRK-21531	8-4	65
Bracket, Notched Wing Support	BRK-26206	8-6	210
Bracket, Spray Bar Lift Up-Stop	BRK-52017	8-6	90
Bracket, T-Handle Latch	FAS-24387A	8-18	5
Bracket, Wet Tool Box	BRK-23180	8-18	30
Breather Vent	FTR-22527	8-7	5
Breather Vent	FTR-22527	8-8	5
Brush Kit, Met Motor	ELC-80690	8-17	40
Burner Assembly (Modified)	PTM-24952	8-4	35
Bushing, Long 3648	FIT-26662	8-12	35
Bushing, Long 3648	FIT-26662	8-11	35
Bushing, Short 3648	PTM-26663	8-11	75
Butterfly Valve Assembly, 2 1/2"	VLV-27275	8-13	130
Butterfly Valve Assembly, 2 1/2"	VLV-27275	8-14	145
Butterfly Valve Assembly, 2 1/2"	VLV-27275	8-15	155
Butterfly Valve Lever, 2 1/2"	BRK-27277	8-13	125
Butterfly Valve Lever, 2 1/2"	BRK-27277	8-14	140
Butterfly Valve Lever, 2 1/2"	BRK-27277	8-15	150

C

Calibration Plate	MTR-21286	8-4	160
Cap and Chain Assembly, 3"	FIT-26039	8-5	210
Cap W/Chain, 2"	FIT-26045	8-4	120
Cap W/Dipstick Assembly	FIT-26044	8-4	105
Cat Walk 24" Grip Strut	GRD-50477	8-4	20
Clamp Ring, Manhole	RNG-21238	8-4	10
Clamp, 3" Victaulic	FIT-29104	8-5	20
Clamp, 4" Victaulic	FIT-29106	8-5	155

Clearance Light, Amber	ELC-24209	8-4	- 100
Clearance Light, Red	ELC-24208	8-4	95

Description	Part No.	Fig	Item
Clip 5/8"	FAS-28549	8-5	130
Clip, Packing Gland Retainer	FAS-33728	8-11	110
Companion Flange, Pump	PTM-22272	8-5	80
Connector, 1/2" Liquidtite	ELC-24425	8-10	30
Console Stand Assembly	BRK-24360	8-2	30
Copper Washer 7/8" O.D. X 1/2" I.D.	FAS-29621	8-9	95
Coupling Gasket, Buna-N 3"	RNG-29111	8-5	245
Coupling Gasket, Buna-N 4"	RNG-29113	8-5	160
Cover Guard Control Box	GRD-52116	8-2	35
Cover Panel	HSG-35124	8-9	1
CRC Master Control, Serial	MTR-26224	8-2	1
CRC Slave Unit	MTR-26225	8-16	70
Cross Tie	BRK-52044	8-6	155
Cylinder Connector	BRK-27330	8-3	75
Cylinder Connector	MCH-26585	8-5	55
Cylinder Connector (Small Air Cylinder)	BRK-27331	8-3	65
Cylinder Connector Machined	BRK-27330	8-13	5
Cylinder Connector Machined	BRK-27330	8-14	5
Cylinder Connector Machined	BRK-27330	8-15	5
Cylinder Connector Spray Bar	BRK-27330	8-13	150
Cylinder Connector Spray Bar	BRK-27330	8-14	165
Cylinder Connector Spray Bar	BRK-27330	8-15	175
Cylinder, 1 1/2" X 10"	CYL-22300	8-6	70
Cylinder, Double-Fold Wing Lift	CYL-22028	8-14	85
Cylinder, Double-Fold Wing Lift	CYL-22028	8-15	80
Cylinder, Heavy Duty Wing Lift 2" X 10"	CYL-22302	8-15	90
Cylinder, Heavy Duty Wing Lift 2" X 10" Wings	CYL-22302	8-14	
Cylinder, Lift	CYL-52040	8-6	135
Cylinder, Single-Fold Wing Lift	CYL-22300	8-13	80
Cylinder, Single-Fold Wing Lift	CYL-22300	8-14	80
Cylinder, Spray Bar	CYL-27318	8-13	10
Cylinder, Spray Bar	CYL-27318	8-13	105
Cylinder, Spray Bar	CYL-27318	8-14	10
Cylinder, Spray Bar	CLY-27318	8-14	120
Cylinder, Spray Bar	CYL-27318	8-15	10
Cylinder, Spray Bar	CYL-27318	8-15	130



Model BC501/CRC 2002

Parts Index

Decal Kit, CAUTION POWER TAKE OFF (NEAR PTO CONTROL)	DCL-21213	8-19	185
Decal Kit, DANGER NEVER GET UNDER BOTH SIDES OF FRAME	DCL-21213	8-19	160
Decal Kit, WARNING NEVER GET UNDER TRUCK (ON VISOR)	DCL-21213	8-19	190
Decal WATCH YOUR STEP	DCL-51729	8-19	60
Decal, BEARCAT	MSM-26188	8-19	180
Decal, CAUTION ALWAYS HAVE SHIELD & REMAIN CLEAR	DCL-21209	8-19	95
Decal, CAUTION BIODEGRADABLE SOLVENTS OR OILS	DCL-21479	8-19	10
Decal, CAUTION FLUSH FUEL ONLY	DCL-21478	8-19	15
Decal, CAUTION HOT SURFACES REMAIN CLEAR UNTIL COOL	MSM-80039	8-19	25
Decal, CAUTION HOT SURFACES REMAIN CLEAR UNTIL COOL	MSM-80039	8-19	175
Decal, CAUTION READ AND UNDERSTAND MANUAL	DCL-21210	8-19	130
Decal, CAUTION REMOVE LOAD HOSE BEFORE CLIMBING LADDER	DCL-21490	8-19	55
Decal, CRC COMPUTERIZED RATE CONTROL	MSM-26195	8-19	165
Decal, DANGER EXPLOSION HAZARD	DCL-21205	8-19	125
Decal, WARNING ASPHALT GRADES	DCL-21208	8-19	140
Decal, WARNING BURNER MUST NOT BE OPERATED	DCL-26163	8-19	105
Decal, WARNING BURNER USE	DCL-21203	8-19	50
Decal, WARNING BURNER/MATERIAL HAZARD	DCL-21202	8-19	100
Decal, WARNING DANGER HOT ASPHALT ON EMULSIFIED ASPHALT	DCL-21204	8-19	45
Decal, WARNING DIESEL BURNER OPERATION (BURNER OPTION)	MSM-80043	8-19	120
Decal, WARNING DO NOT EXCEED GVWR OR GAWR	DCL-21212	8-19	170

**Model BC501/CRC 2002****Parts Index**

Decal, WARNING ERUPTION/EXPLOSION	DCL-21207	8-19	5
Decal, WARNING FILL LINE CAP OR CONNECTION	DCL-21211	8-19	110
Decal, WARNING MATERIAL HAZARD	DCL-21201	8-19	145
Decal, Warranty NO MODIFICATION IN OR AROUND BOX	DCL-100094	8-19	40
Diesel Burner Assembly	PTM-24952	8-17	
Divider Plate	BRK-27625	8-13	35
Divider Plate	BRK-27625	8-14	35
Divider Plate	BRK-27625	8-15	35
Dowell Pin 1/2" X 1"	FAS-33655	8-11	20
Dowell Pin 1/2" X 1"	FAS-33655	8-12	20
Drive Coupling	FIT-24957	8-17	50
Drive Line Assembly	PTM-26314	8-5	100
Drive Line Assembly	PTM-27213	8-7	- 95
Drive Line Assembly	PTM-27213	8-8	- 85
Drum	MCH-35118	8-9	90

E

E.V. Tank Assembly	TNK-21480	8-4	130
Electrode	ELC-24954	8-17	75
Electrode/Fuel Tube Assembly (Hose Nozzle)	ELC-24950	8-17	70
Emergency Shut-Off Valve	VLV-22320	8-20	30
Enclosure, Modified	HSG-24254	8-16	85
Extension Assembly, 1 ft	HSG-40505	8-13	30
Extension Assembly, 1 ft	HSG-40505	8-14	30
Extension Assembly, 1 ft	HSG-40505	8-15	30
Extension Assembly, 2 ft	HSG-40506	8-13	40
Extension Assembly, 2 ft	HSG-40506	8-14	40
Extension Assembly, 2 ft	HSG-40506	8-15	40

F

Female Flange Spray Bar Cap	HSG-27291	8-13	170
-----------------------------	---------------------------	------	-----



Description	Part No.	Fig	Item
Female Flange Spray Bar Cap	HSG-27291	8-14	190
Female Flange Spray Bar Cap	HSG-27291	8-15	205
Fender, Single (Right-Hand and Left-Hand)	GRD-23219	8-4	80
Fender, Tandem Aluminum	GRD-23221	8-4	
Fender/EPA Mount Bracket Fwd and Aft	BRK-21484	8-4	90
Filter Base	FTR-22503	8-7	35
Filter Base	FTR-22503	8-8	35
Filter Head, Remote Mount	FTR-22504	8-7	45
Fine Y-Strainer Assembly	HSG-52167	8-5	165
Fitting, C5205X4	4MJ-2MP	8-16	90
Fitting, C5315X4X8	8MB-4MJ	8-16	40
Fitting, C5355X8X4	45D8MJ-4MP	8-17	1
Fitting, C5375 X4X4	45D4MJ-4MJBH	8-16	10
Flange Yoke 2-2-329	PTM-22251	8-5	
Flange Yoke 2-2-389	PTM-22257	8-5	
Float Assembly	MTR-21266	8-4	140
Float Ball	MTR-21263	8-4	145
Float Gauge Needle	MTR-21225	8-4	165
Flue Liner – Burner Mount Assembly	HSG-25253	8-4	40
Freeze Plug 1 3/4"	FIT-24243	8-11	30
Freeze Plug 1 3/4"	FIT-24243	8-12	30
Fuel Solenoid	VLV-24953	8-17	15

G

Gas Safety Valve	VLV-80703	8-20	65
Gasket, 2 1/2" 6-Hole	RNG-29055	8-5	195
Gasket, 2 1/2" 6-Hole	RNG-29055	8-13	120
Gasket, 2 1/2" 6-Hole	RNG-29055	8-14	135
Gasket, 2 1/2" 6-Hole	RNG-29055	8-15	145
Gasket, 2" 6-Hole	RNG-29050	8-13	135
Gasket, 2" 6-Hole	RNG-29050	8-14	150
Gasket, 2" 6-Hole	RNG-29050	8-15	160
Gasket, 3"	RNG-29056	8-5	215



Description	Part No.	Fig	Item
Gasket, 3" 4-Hole	RNG-29061	8-5	40
Gasket, 3" 4-Hole	RNG-29061	8-5	60
Gasket, 3" 8-Hole	RNG-29060	8-5	10
Gasket, 3" 8-Hole	RNG-29060	8-5	235
Gasket, 4" 8-Hole	RNG-29065	8-5	115
Gasket, 4" Square	RNG-29066	8-5	75
Gasket, Bar Flange	RNG-29073	8-13	60
Gasket, Bar Flange	RNG-29073	8-14	60
Gasket, Bar Flange	RNG-29073	8-15	60
Gasket, Manhole	RNG-21239	8-4	5
Gasket, Paper 3648	RNG-29993	8-11	15
Gasket, Paper 3648	RNG-29993	8-12	15
Gasket, Suction Strainer	RNG-29068	8-5	135
Gasket, Teflon, Y-Strainer	RNG-52179	8-5	175
Gauge, Pressure	MTR-22351	8-20	55
Gauge, Temperature, 24" 50 °F – 500 °F	MTR-25223	8-4	30
Gauge, Vacuum	MTR-22499	8-7	30
Gauge, Vacuum	MTR-22499	8-8	30
Gear 3648, Left-Hand	PTM-33712	8-11	65
Gear 3648, Left-Hand	PTM-33712	8-12	65
Gear 3648, Right-Hand	PTM-33713	8-11	70
Gear 3648, Right-Hand	PTM-33713	8-12	70
Gear Assembly, 72-Tooth	PTM-26321	8-5	90
Gear Assembly, 72-Tooth	PTM-26321	8-7	70
Gear Assembly, 72-Tooth	PTM-26321	8-8	65
Gear Tooth Sensor	ELC-26148	8-5	105
Gland, 3648 Packing Gland	HSG-33726	8-11	115
Grip Strut Spacers	BRK-21250	8-4	190
Guide, Spray Bar Lift/Stop	BRK-52015	8-6	55
Gusset	BRK-52031	8-6	180

H

Hand Spray Wand Assembly	MSC-27279	8-5	290
Hand Spray Wand Hose Assembly	MSC-26477	8-5	265
Hand Spray Wand Tip Assembly	MSC-27273	8-5	295



Description	Part No.	Fig	Item
Hanger Pipe	BRK-52018	8-6	165
Hanger Rail	BRK-52011	8-6	10
Hanger Support	BRK-52038	8-6	15
Heat Deflector	GRD-25155	8-4	37
Hose Assembly (Flex/Steel), Bar Feed	PIP-27326	8-5	
Hose Assembly (Rubber), Bar Feed	MSC-27338	8-5	200
Hose Assembly, Hose Reel	MSC-26455	8-5	250
Hose Reel Assembly	BRK-27350	8-5	260
Hose Reel Swivel	FIT-29800	8-5	255
Hose Ring 4"	RNG-26422	8-6	35
Hose Trough/Steel	BRK-21276	8-4	175
Housing	HSG-35119	8-8	120
Housing 3648	HSG-33700	8-11	60
Housing 3648	HSG-33700	8-12	60
Housing Cover	HSG-52176	8-5	180
Housing, 3648 Modified Pump W/Flange	HSG-27545	8-12	120
Hydraulic Filter	FTR-22501	8-7	50
Hydraulic Filter (Sunstrand Pump)	FTR-100071	8-8	50
Hydraulic Filter, Zinga	FTR-22502	8-7	40
Hydraulic Filter, Zinga	FTR-22502	8-8	40
Hydraulic Tank Hanger and Strap	BRK-26360	8-7	20
Hydraulic Tank Hanger and Strap	BRK-26360	8-8	20
Hydraulic Tank, 15 Gallon 20" X 11"	TNK-22419	8-7	10
Hydraulic Tank, 15 Gallon 20" X 11"	TNK-22419	8-8	10
Hydraulic Valve Coil (2-Prong)	ELC-26979	8-16	55
Hydraulic Valve Open/Center 2-Plug Coil	VLV-100076	8-16	45

I

ICC Lights	ELC-24212	8-16	115
Ignition Coil	ELC-81180	8-17	20
Ignition Coil W/Lid	ELC-24970	8-17	25
Inner Wing Weldment, Heavy Swing Joint, Left-Hand 2 ft	MCH-40529	8-15	125
Inner Wing Weldment, Heavy Swing Joint, Left-Hand 3 ft	MCH-40528	8-15	
Inner Wing Weldment, Heavy Swing Joint, Left-Hand 4 ft	MCH-40530	8-15	



Description	Part No.	Fig	Item
Inner Wing Weldment, Left-Hand 2 ft	MCH-40529	8-14	115
Inner Wing Weldment, Left-Hand 3 ft	MCH-40528	8-14	
Inner Wing Weldment, Left-Hand 4 ft	MCH-40530	8-14	
Inner Wing Weldment, Right-Hand 2 ft	MCH-40529	8-14	180
Inner Wing Weldment, Right-Hand 2 ft	MCH-40529	8-15	190
Inner Wing Weldment, Right-Hand 3 ft	MCH-40528	8-14	
Inner Wing Weldment, Right-Hand 3 ft	MCH-40528	8-15	
Inner Wing Weldment, Right-Hand 4 ft	MCH-40530	8-14	
Inner Wing Weldment, Right-Hand 4 ft	MCH-40530	8-15	
Intake Strainer Assembly	HSG-27246	8-5	145
Internal Tube, Bottom	HSG-27383	8-13	85
Internal Tube, Bottom	HSG-27383	8-14	90
Internal Tube, Bottom	HSG-27383	8-15	100
Internal Tube, Top	HSG-27384	8-13	100
Internal Tube, Top	HSG-27384	8-14	105
Internal Tube, Top	HSG-27384	8-15	115
J			
Jumper Hose	MSC-52171	8-16	30
K			
Key, 1/4" X 1 1/2"	PTM-33711	8-11	40
Key, 1/4" X 1 1/2"	PTM-33711	8-12	40
Knob	ELC-25284	8-10	

L



Description	Part No.	Fig	Item
Latch and Rail Assembly	FAS-52055	8-6	95
Latch, T-Handle	FAS-24387	8-18	10
Lateral Stops	BRK-26418	8-6	160
Lift Hanger	MCH-52041	8-6	175
Lifting Bail Eye	BRK-26443	8-6	110
Load Hose, 60-Degree Swivel Assembly	FIT-50184	8-5	123
Lock Nut, Steel	ELC-24170	8-17	- 55
Logo Plate, BearCat	MSM-26187	8-16	120
Long Mirror Spring	FAS-29410	8-3	45
LPG Tank		8-20	1

M

Main Bar Weldment, 8 ft	HSG-40520	8-13	160
Main Bar Weldment, 8 ft	HSG-40520	8-14	175
Main Bar Weldment, 8 ft	HSG-40520	8-15	185
Male Flange Spray Bar Cap	HSG-27292	8-13	55
Male Flange Spray Bar Cap	HSG-27292	8-14	55
Male Flange Spray Bar Cap	HSG-27292	8-15	55
Manhole Domed Lid Assembly	HSG-21238	8-4	1
Manhole Step Assembly	GRD-50009	8-4	15
Manifold Strainer Assembly	MSC-62120	8-5	220
Manifold, 10-Station	MSC-35120	8-9	40
Manual Pump Control Box Assembly	HSG-24612	8-10	140
Marker Assembly, Right-Hand and Left-Hand	VLV-40549	8-13	1
Marker Assembly, Right-Hand and Left-Hand	VLV-40549	8-14	1
Marker Assembly, Right-Hand and Left-Hand	VLV-40549	8-15	1
Marker Valve Lifter	MCH-27375	8-13	20
Marker Valve Lifter	MCH-27375	8-14	20
Marker Valve Lifter	MCH-27375	8-15	20
Mid Wing Weldment, Triple-Fold, Left-Hand 2 ft	MCH-40533	8-15	70
Mid Wing Weldment, Triple-Fold, Right-Hand 2 ft	MCH-40533	8-15	195
Mirror	GRD-26379	8-3	110
Mirror Angle Mount S/S	BRK-26328	8-3	60
Mirror Assembly	GRD-26330	8-3	



Description	Part No.	Fig	Item
Mirror Backing Plate	BRK-26327	8-3	10
Mirror Block Hinge (Large)	BRK-26322	8-3	90
Mirror Block Hinge (Small)	BRK-26323	8-3	80
Mirror Support (Large)	BRK-26325	8-3	1
Mirror Support (Small)	BRK-26324	8-3	5
Motor, Eaton 33 Series	PMP-22239	8-5	85
Motor, Sunstrand	PMP-22216	8-5	85
Motor, Electric (Met) Burner	ELC-24968	8-17	35
Motor, Hydraulic Eaton 33 Series	PMP-22239	8-7	65
Motor, Hydraulic Sunstrand	PMP-22216	8-8	60
Mount	HSG-35136	8-9	25
Mount Assembly, Hydraulic Pump	BRK-26548	8-7	- 80
Mount Assembly, Hydraulic Pump	BRK-26548	8-8	- 70
Mud Flap W/Logo	GRD-20308	8-4	85

N

Nozzle #1 3/8" NPT X 3/8" Bore	FIT-27200	8-13	175
Nozzle #1 3/8" NPT X 3/8" Bore	FIT-27200	8-14	195
Nozzle #1 3/8" NPT X 3/8" Bore	FIT-27200	8-15	210
Nozzle #2 3/8" NPT X 3/8" Bore	FIT-27196	8-13	
Nozzle #2 3/8" NPT X 3/8" Bore	FIT-27196	8-14	
Nozzle #2 3/8" NPT X 3/8" Bore	FIT-27196	8-15	
Nozzle #3 3/8" NPT X 3/8" Bore	FIT-27197	8-13	
Nozzle #3 3/8" NPT X 3/8" Bore	FIT-27197	8-14	
Nozzle #3 3/8" NPT X 3/8" Bore	FIT-27197	8-15	
Nozzle #4 3/8" NPT X 3/8" Bore	FIT-27198	8-13	
Nozzle #4 3/8" NPT X 3/8" Bore	FIT-27198	8-14	
Nozzle #4 3/8" NPT X 3/8" Bore	FIT-27198	8-15	
Nozzle Snap Ring	RNG-27363	8-13	235
Nozzle Snap Ring	RNG-27363	8-14	255
Nozzle Snap Ring	RNG-27363	8-15	270
Nozzle Wrench, 11/16"	MSC-27176	8-13	155
Nozzle Wrench, 11/16"	MSC-27176	8-14	170
Nozzle Wrench, 11/16"	MSC-27176	8-15	180



Description	Part No.	Fig	Item
Nozzle Wrench, 5/8"	MSC-27183	8-13	
Nozzle Wrench, 5/8"	MSC-27183	8-14	
Nozzle Wrench, 5/8"	MSC-27183	8-15	
Nozzle Wrench, 9/16"	MSC-27182	8-13	
Nozzle Wrench, 9/16"	MSC-27182	8-14	
Nozzle Wrench, 9/16"	MSC-27182	8-15	
Nozzle, #4 .250 Pipe	FIT-27194	8-5	300
Nozzle/Screen Burner 3.50 X 45B	FIT-24951	8-17	65
O			
O-Ring 1.25" O.D.	RNG-29999	8-11	145
O-Ring 1.25" O.D.	RNG-29999	8-12	155
O-Ring 2.25" O.D.	RNG-26934	8-12	125
O-Ring 3 1/2" I.D. X 3 3/4" O.D. X 1/8"	RNG-26940	8-11	155
O-Ring 3 1/2" I.D. X 3 3/4" O.D. X 1/8"	RNG-26940	8-12	165
O-Ring, Bar Feed Hose	RNG-26945	8-5	185
O-Ring, Upper & Lower Bushing	RNG-40520	8-13	190
O-Ring, Upper & Lower Bushing	RNG-40520	8-14	210
O-Ring, Upper & Lower Bushing	RNG-40520	8-15	225
Outer Wing Weldment, Double-Fold, Left-Hand 2 ft	MCH-40532	8-14	65
Outer Wing Weldment, Double-Fold, Right-Hand 2 ft	MCH-40532	8-14	185
Outer Wing Weldment, Triple-Fold, Left-Hand 1 ft	MCH-40531	8-15	65
Outer Wing Weldment, Triple-Fold, Right-Hand 1 ft	MCH-40531	8-15	200
P			
P8SSC Pilot	PMP-25076	8-20	90
Packing Nut	FAS-21223	8-4	150
Packing Set 3648	RNG-33728	8-11	120
Packing, 1/8" Graphite	RNG-21071	8-4	155
Panel, Engraved	HSG-35140	8-10	5

**Model BC501/CRC 2002****Parts Index**

Panel, Engraved Selector Asphalt Valve Control	MSM-35125	8-19	155
Pencil Thermometer Assembly	MTR-49863	8-4	170
Pin	FAS-35122	8-9	100
Pivot Bushing Assembly	FIT-52009	8-6	30
Pivot Spacer	BRK-52023	8-6	45
Pivot Spacers	BRK-52023	8-6	140
Plate ASPHALT PUMP FLOW DIRECTION FORWARD AND REVERSE	MSM-26174	8-19	85
Plate, BearCat Pump I.D.	MSM-33706	8-11	10
Plate, BearCat Pump I.D.	MSM-33706	8-12	10
Plate, CAUTION SAMPLE VALVE HOT ASPHALT DISCHARGE 450 DEG F.	MSM-50078	8-19	115
Plate, Drive End	HSG-33701	8-11	80
Plate, Drive End	HSG-33701	8-12	75
Plate, Information DOME LID MEETS DOT SPECS.	MSM-26159	8-19	1
Plate, Relief	HSG-33702	8-11	1
Plate, Relief	HSG-33702	8-12	1
Plate, Valve ID. "A" IN-PUMP FORWARD OUT-PUMP REVERSE	MSM-26167	8-19	75
Plate, Valve ID. "C" TANK VALVE	MSM-26181	8-19	- 53
Plate, Valve ID. "D" IN-PUMP REVERSE OUT-PUMP FORWARD	MSM-26169	8-19	80
Plate, Valve ID. "E" SPRAY BAR	MSM-26170	8-19	70
Plate, Valve ID. "F" TANK CIRCULATE	MSM-26171	8-19	20
Plate, Valve ID. "G" TANK CIRCULATE	MSM-26172	8-19	30
Plate, WARNING BILINGUAL REAR CONTROL BOX	MSM-52115	8-19	65
Plate, WARNING CARGO PUMP HAZARDS	MSM-33710	8-19	90
Plate, WARNING SAFETY HAZARDS	DCL-80042	8-19	135
Plug, 1/4" Counter Sunk	FIT-28296	8-9	45
Plug, 1/4" Counter Sunk	FIT-28296	8-9	85
Plug, 2" Rubber	FIT-26035	8-8	1
Poppet Spring	FAS-27356	8-13	210



Description	Part No.	Fig	Item
Poppet Spring	FAS-27356	8-14	230
Poppet Spring	FAS-27356	8-15	245
Potentiometer, 3/4 Turn	ELC-24283	8-10	15
Propane Filter, Inline	FTR-80266	8-20	35
Propane Heating System		8-20	
Propane Hose, #6 Braided		8-20	45
Pump Assembly, 3648, Modified	PMP-33720	8-12	
Pump Assembly, 3648, Packed	PMP-33721	8-11	
Pump Guard	GRD-27476	8-5	95
Pump Intake Assembly	MSC-27527	8-5	110
Pump, 3648 (Modified)	PMP-33720	8-5	65
Pump, 3648 (Unmodified)	PMP-33721	8-5	- 70
Pump, Fuel Beckett (Truck)	PMP-24980	8-17	10
Pump, Hydraulic Auxiliary	PMP-22200	8-7	60
Pump, Hydraulic Auxiliary (Vickers V-10)	PMP-22203	8-7	60
Pump, Hydraulic Auxiliary	PMP-22200	8-8	55
Pump, Hydraulic Auxiliary (Vickers V-10)	PMP-22203	8-8	55
Pump, Hydraulic Eaton 33 Series	PMP-22212	8-7	55
Pump, Hydraulic Sunstrand	PMP-22206	8-8	45

R

Rear Control Box Assembly	ELC-52117	8-2	60
Reflector, Amber Round	ELC-24213	8-4	- 75
Reflector, Red Round	ELC-24214	8-4	70
Regulator, 30 lb Fixed	VLV-26203	8-4	110
Regulator, Propane	MTR-25068	8-20	50
Relay, 70 Amp	ELC-24270	8-2	55
Relief Poppet, Inner	HSG-33714	8-11	175
Relief Poppet, Inner	HSG-33714	8-12	185
Relief Poppet, Outer	HSG-33722	8-11	160
Relief Poppet, Outer	HSG-33722	8-12	170
Resistor, 270 ohm (Eaton System)	ELC-24282	8-10	45
Resistor, 150 ohm (Sunstrand System)	ELC-24069	8-10	45
Right-Hand & Left-Hand Mounting Block Versa	BRK-24358	8-16	110



Description	Part No.	Fig	Item
Riser	BRK-27582	8-6	25
Roll Pin, Stainless Steel 1/8" X 1/2	FAS-27359	8-13	200
Roll Pin, Stainless Steel 1/8" X 1/2	FAS-27359	8-14	220
Roll Pin, Stainless Steel 1/8" X 1/2"	FAS-27359	8-15	235
S			
Sample Valve, Brass 1"	VLV-21020	8-4	25
Seal, 3648 Pump Dust Seal	RNG-27238	8-12	100
Seal, 3648 Pump Shaft Seal (Fl. Carbon)	RNG-27233	8-12	110
Shaft	BRK-26329	8-3	95
Shaft, Drive, 3648 Modified	PTM-33708	8-12	50
Shaft, Drive, 3648 Unmodified	PTM-33709	8-11	50
Shaft, Idler	PTM-33707	8-11	45
Shaft, Idler	PTM-33707	8-12	45
Side Panel, Left-Hand	HSG-35115	8-9	35
Side Panel, Right-Hand	HSG-35116	8-9	15
Sight Gauge	MTR-80270	8-7	15
Sight Gauge	MTR-80270	8-8	15
Spray Bar Stiffener	BRK-26429	8-6	80
Spray Bar Stiffener	BRK-52076	8-6	
Spray Wand Valve Handle	GRD-27080	8-5	280
Spring	FAS-29407	8-2	65
Spring	FAS-35103	8-9	105
Spring, Conical Shaped Valve Stem	FAS-27418	8-13	220
Spring, Conical Shaped Valve Stem	FAS-27418	8-14	240
Spring, Conical Shaped Valve Stem	FAS-27418	8-15	255
Spring, Ignition Coil	ELC-24948	8-17	30
Spring, Inner	MSC-33716	8-11	165
Spring, Inner	MSC-33716	8-12	175
Spring, Outer	MSC-33715	8-11	170
Spring, Outer	MSC-33715	8-12	180
Sprocket	PTM-35104	8-9	10
Squirrel Cage Fan	MCH-24951	8-17	45



Description	Part No.	Fig	Item
Stand Assembly	BRK-52033	8-6	1
Stop Bolt	BRK-52047	8-6	130
Strain Relief, 1/2"	ELC-24421	8-17	- 60
Strainer Nozzle/Glove Box	FTR-27715	8-18	1
Strainer, Fine Screen Assembly	FTR-52165	8-5	170
Suction Strainer Screen Assembly	FTR-27242	8-5	140
Support	BRK-24198	8-6	185
Swing Arm Assembly	MCH-52036	8-6	40
Swing Joint Assembly (Over-Sized), Lower	MCH-27571	8-15	140
Swing Joint Assembly (Over-Sized), Upper	HSG-27576	8-14	
Swing Joint Assembly (Over-Sized), Upper	HSG-27576	8-15	105
Swing Joint Assembly (Over-Sized), Wings Over 5 ft, Lower	MCH-27571	8-14	
Swing Joint Assembly, Lower	MCH-27570	8-13	115
Swing Joint Assembly, Lower	MCH-27570	8-14	130
Swing Joint Assembly, Upper	HSG-27575	8-13	90
Swing Joint Assembly, Upper	HSG-27575	8-14	95
Swing Joint Seal (Over-Sized Swing Joint), Lower	RNG-27244	8-15	135
Swing Joint Seal (Over-Sized Swing Joint), Upper	RNG-27231	8-15	110
Swing Joint Seal (Over-Sized), Wings Over 5 ft, Lower	RNG-27244	8-14	
Swing Joint Seal (Over-Sized), Wings, Upper	RNG-27231	8-14	
Swing Joint Seal, Lower	RNG-27231	8-13	110
Swing Joint Seal, Lower	RNG-27231	8-14	125
Swing Joint Seal, Upper	RNG-27230	8-13	95
Swing Joint Seal, Upper	RNG-27230	8-14	100
Switch Limit Switch Assembly (Teflon)	ELC-26549	8-13	
Switch Limit Switch Assembly (Teflon)	ELC-26549	8-14	
Switch Limit Switch Assembly (Teflon)	ELC-26549	8-15	
Switch, ON/OFF, SP/ST	ELC-24275A	8-10	20
Switch, ON/ON, DP/DT	ELC-24268A	8-10	10
Switch, Sealed Mom ON-OFF-ON Mom	ELC-24274A	8-2	40
Switch, Sealed ON-OFF-ON, DP/ST	ELC-24276A	8-2	65
Swivel, 3/4"	FIT-29940	8-5	270



	Description	Part No.	Fig	Item
T				
	Tail Light	ELC-24206	8-6	190
	Tank Valve (Modified)	VLV-27255	8-4	50
	Tank Valve Gasket	RNG-29066	8-4	55
	Tape, Conspicuity Silver 2" Wide	MSM-21303	8-19	35
	Tape, Conspicuity Red/Silver 2" Wide	MSM-21302	8-19	150
	Tee and Elbow Assembly	FIT-52124	8-5	35
	T-Handle Flex Latch & Clip	FAS-24338	8-16	5
	Thermocouple, 72"	MTR-80723	8-20	85
	Toggle Switch, Master	ELC-24275	8-2	5
	Toggle Switch, Mom ON-OFF-MOM	ELC-24274	8-2	15
	Toggle Switch, Mom ON-OFF-ON	ELC-51748	8-2	20
	Toggle Switch, ON-OFF	ELC-24275	8-2	10
	Toggle Switch, ON-OFF-ON	ELC-24272	8-2	25
U				
	U-Joint 5-153X	PTM-22288	8-5	
V				
	Valve Assembly, 3" Victaulic	FIT-29180	8-5	15
	Valve Assembly, 4" Butterfly	VLV-27450	8-5	50
	Valve Assembly, By-pass	VLV-27211	8-5	5
	Valve Box Cover Assembly	HSG-24376	8-16	125
	Valve Box Enclosure	HSG-24365	8-16	1
	Valve EDC Controller	VLV-29330	8-7	75

Description	Part No.	Fig	Item
Valve Nozzle Bushing 3/8"	FIT-40516	8-13	15
Valve Nozzle Bushing 3/8"	FIT-40516	8-14	15
Valve Nozzle Bushing 3/8"	FIT-40516	8-15	15
Valve Nozzle Bushing 3/8", Lower	FIT-40516	8-13	180
Valve Nozzle Bushing 3/8", Lower	FIT-40516	8-14	200
Valve Nozzle Bushing 3/8", Lower	FIT-40516	8-15	215
Valve Stem Insert, Upper	FIT-40511	8-13	185
Valve Stem Insert, Upper	FIT-40511	8-14	205
Valve Stem Insert, Upper	FIT-40511	8-15	220
Valve Stem Lifter	MCH-26587	8-13	230
Valve Stem Lifter	MCH-26587	8-14	250
Valve Stem Lifter	MCH-26587	8-15	265
Valve Stem Stainless Steel Spray Bar	MSM-27416	8-13	215
Valve Stem Stainless Steel Spray Bar	MSM-27416	8-14	235
Valve Stem Stainless Steel Spray Bar	MSM-27416	8-15	250
Valve, 1/4" Ball	VLV-29195	8-4	115
Valve, 3/4" Air Actuated (Flush)	VLV-35137	8-5	150
Valve, 3/4" Ball	VLV-29227	8-5	225
Valve, 3/4" Ball S/S	VLV-29229	8-5	275
Valve, 3" Gate (Modified)	VLV-29316	8-5	205
Valve, 3" Slide Flange/Flange, Heat Traced, Air Operated	VLV-29310	8-5	230
Valve, 3" Slide Flange/Groove, Heat Traced, Air Operated	VLV-29311	8-5	240
Valve, 3" Slide, Modified, Heat Traced, Air Operated	VLV-29312	8-5	120
Valve, 4-Way 2 Position	VLV-35101	8-9	65
Valve, Air Actuated (Flush)	VLV-35138	8-5	25
Vapor Burner, Ransome B-4	PMP-25074	8-20	95
Versa Air Manifold 12-Station/12 Valves	VLV-26990	8-16	95
Versa Air Manifold 2-Station	MSC-27002	8-16	105
Versa Air Valve 4-Way (C-5 options)	VLV-26960	8-16	25
Versa Coil 4-Way Valve	ELC-26961	8-16	20

W

Warning Tag	MSM-33710	8-11	55
Warning Tag	MSM-33710	8-12	55



Description	Part No.	Fig	Item
Washer, Packing	FAS-33729	8-11	125
Washer, S/S Bar Stem	FAS-27362	8-13	240
Washer, Stainless Steel Bar Stem	FAS-27362	8-14	260
Washer, Stainless Steel Bar Stem	FAS-27362	8-15	275
Wing Lift Bolt Assembly (Heavy Duty Cylinder)	MCH-40507	8-15	95
Wing Lift Bolt Assembly 7/8"	BRK-40507	8-13	75
Wing Lift Bolt Assembly 7/8"	BRK-40507	8-14	75
Wing Lift Bolt Assembly 7/8"	BRK-40507	8-14	110
Wing Lift Bolt Assembly 7/8"	BRK-40507	8-15	85
Wing Lift Bolt Assembly 7/8"	BRK-40507	8-15	120
Wing Support Super Structure Assembly (Double/Triple-Fold)	HSG-26205	8-6	205
Wing Weldment, Left-Hand 2 ft	MCH-40527	8-13	65
Wing Weldment, Left-Hand 3 ft	MCH-40526	8-13	
Wing Weldment, Left-Hand 4 ft	MCH-40525	8-13	
Wing Weldment, Right-Hand 2 ft	MCH-40527	8-13	165
Wing Weldment, Right-Hand 3 ft	MCH-40526	8-13	
Wing Weldment, Right-Hand 4 ft	MCH-40525	8-13	
Wooden Handle	GRD-27284	8-5	285



Model BC501/CRC 2002

Parts Index

	Description	Part No.	Fig	Item
Y				
	Yoke End 2-4-533	PTM-22261	8-7	- 90
	Yoke End 2-4-533	PTM-22261	8-8	- 80
Z				
	Zerk	.250-28M-Z	8-3	20